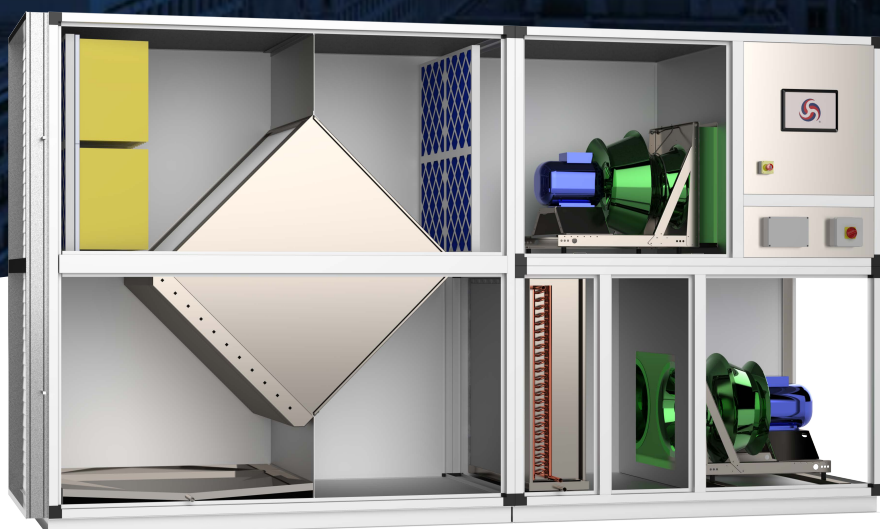
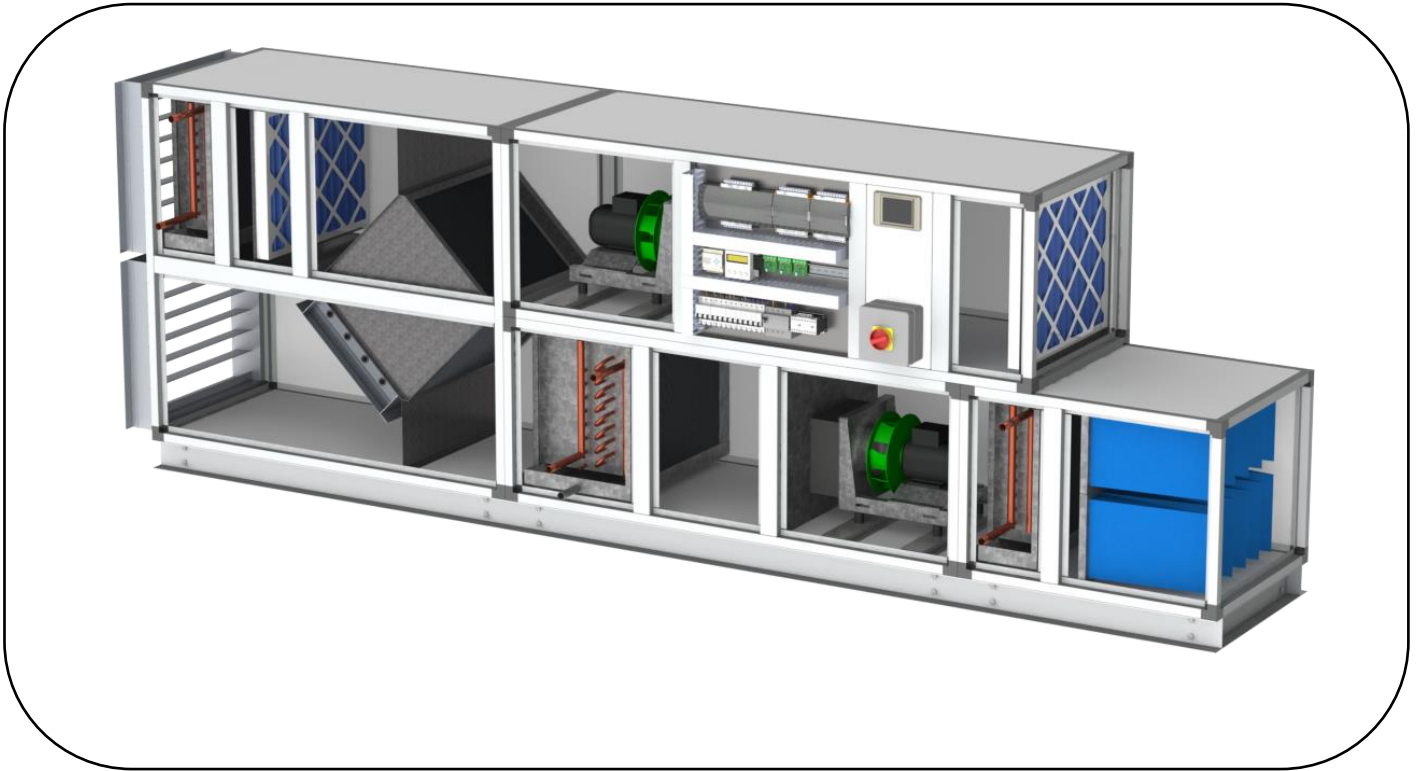


Plate Heat Exchanger Units

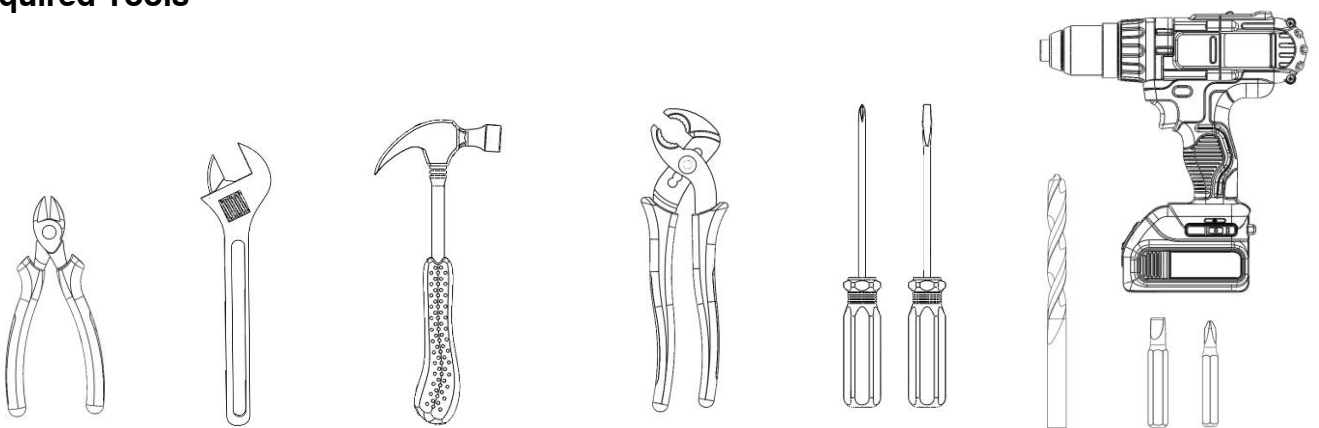


Recycling Instructions





Required Tools



Cowl & Louvre

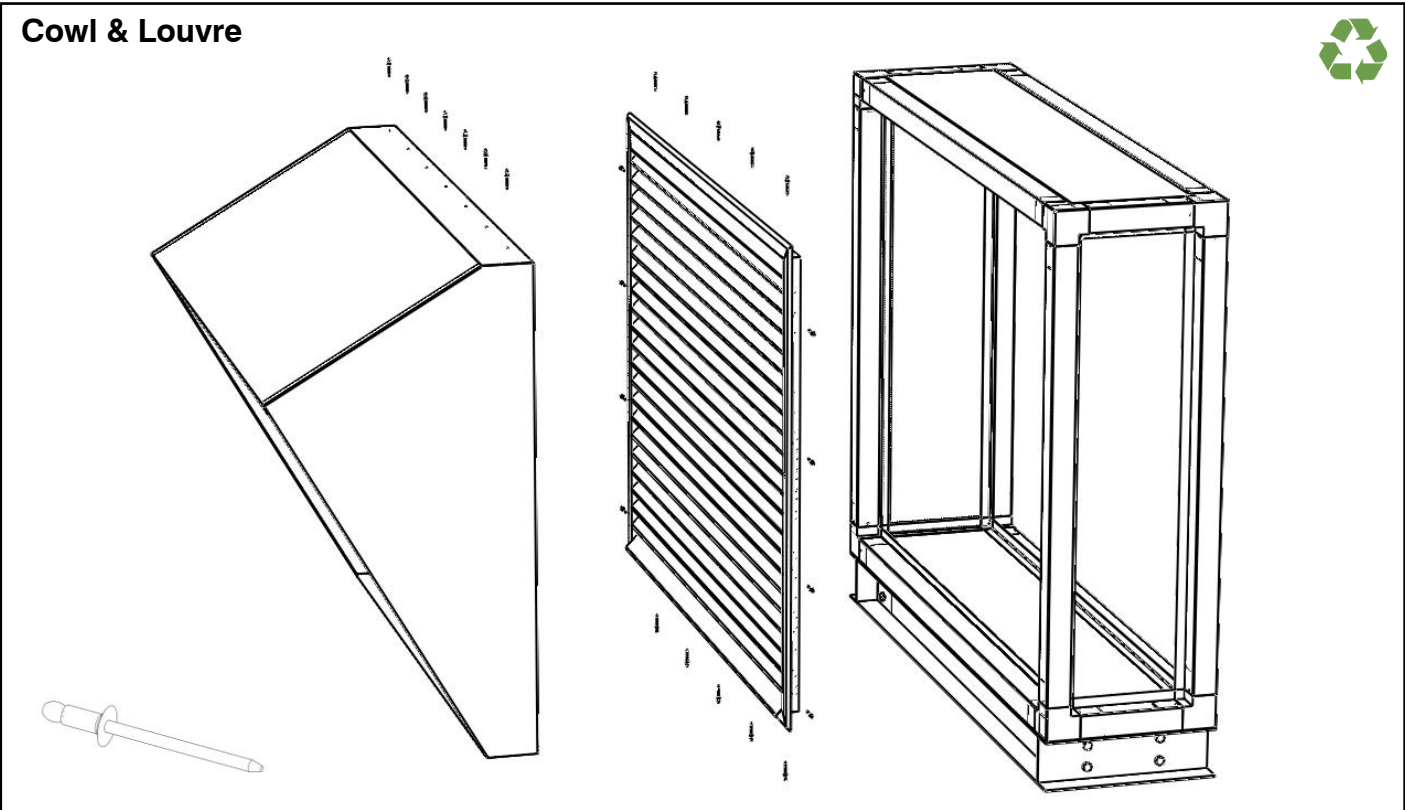
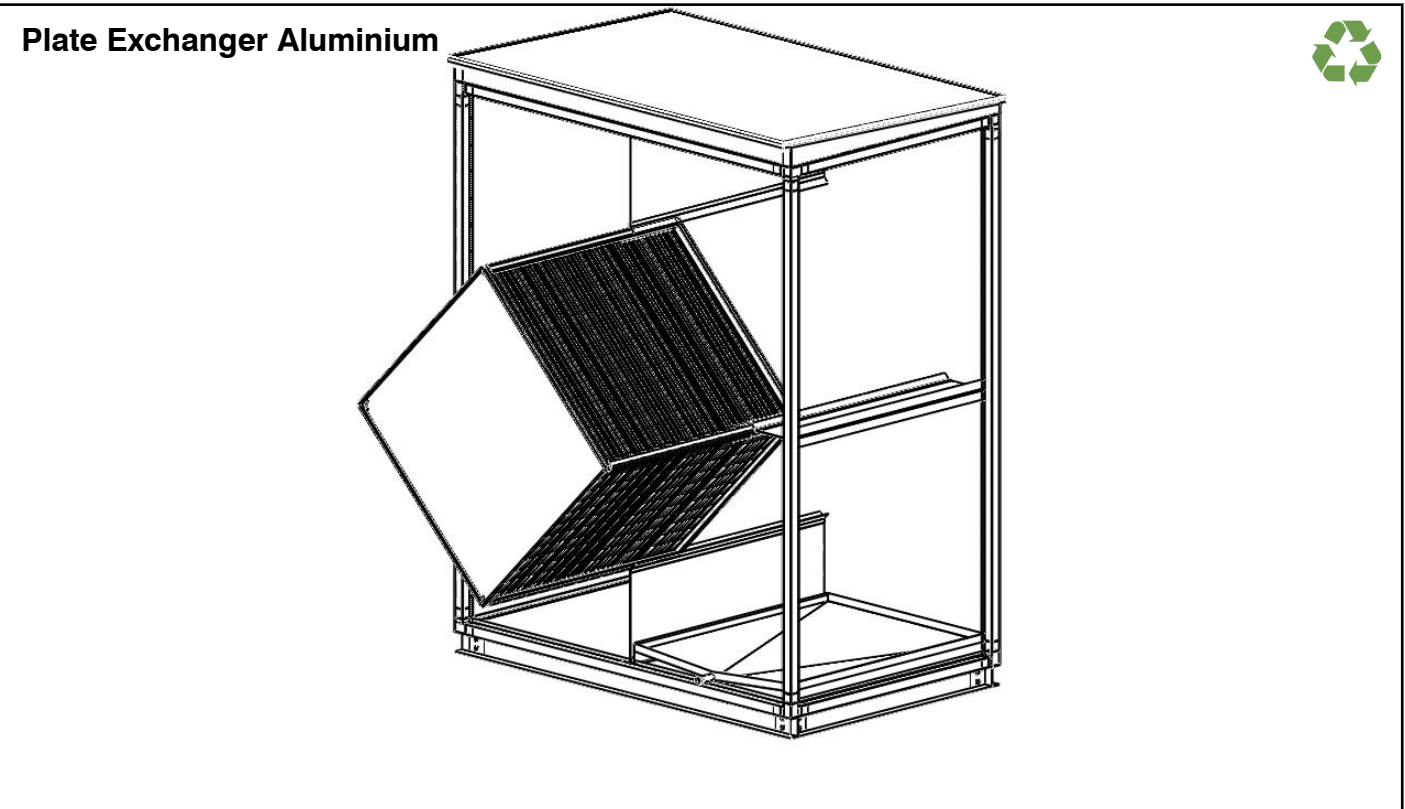
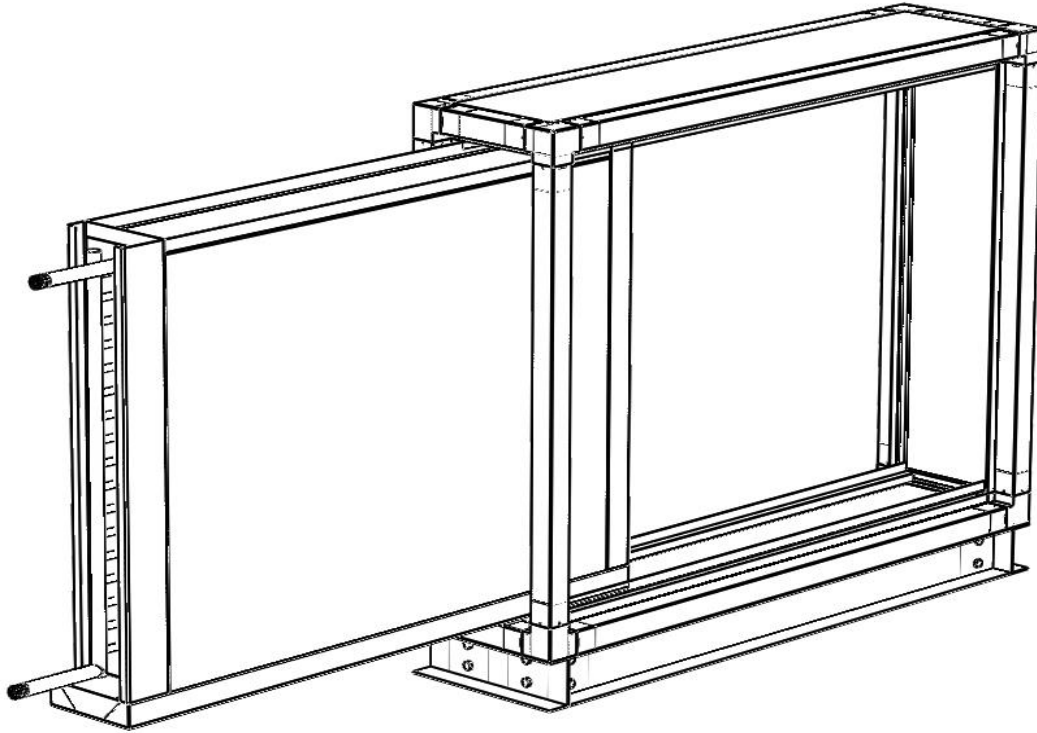


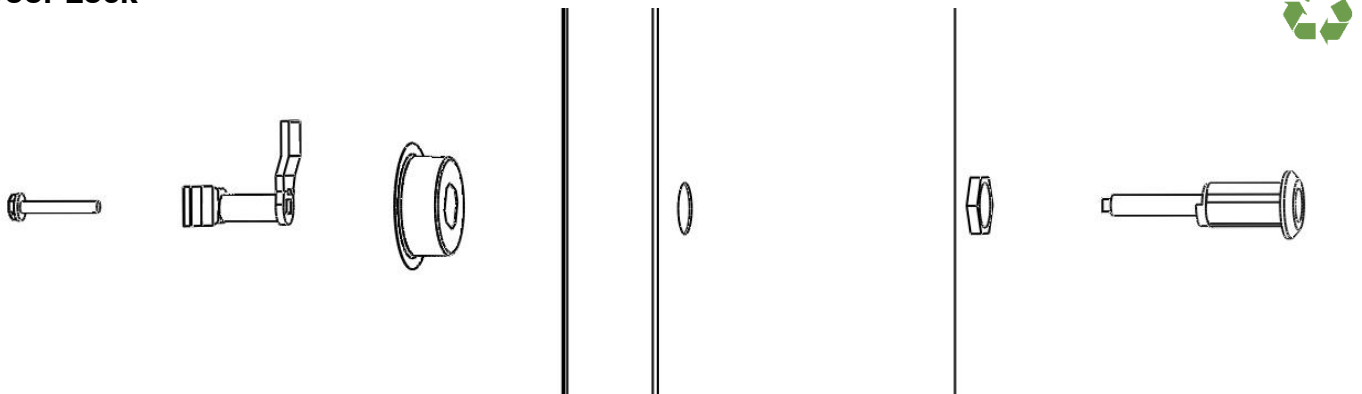
Plate Exchanger Aluminium



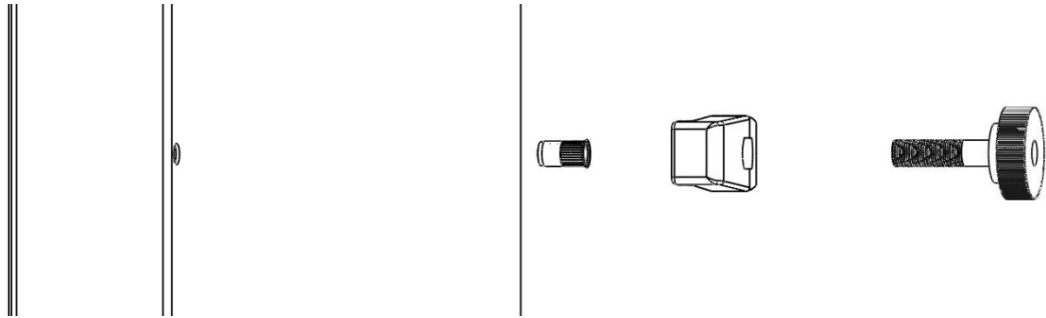
Coils



Door Lock



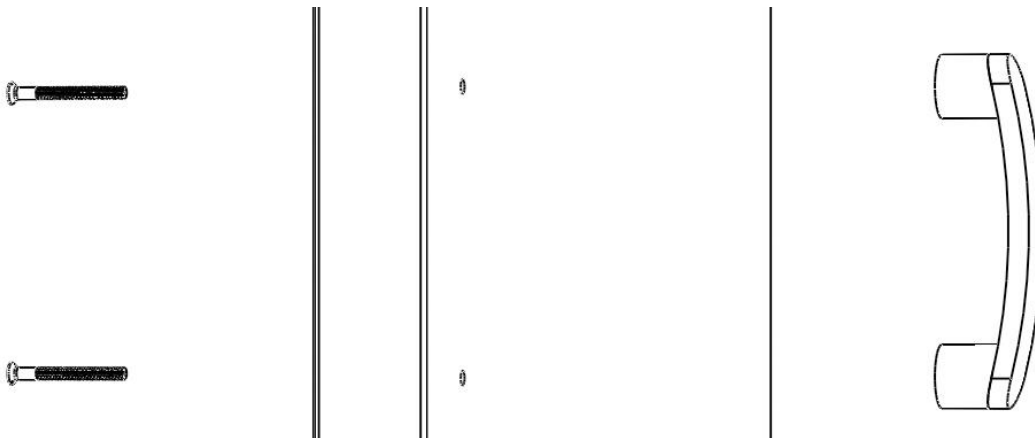
Door Clamp

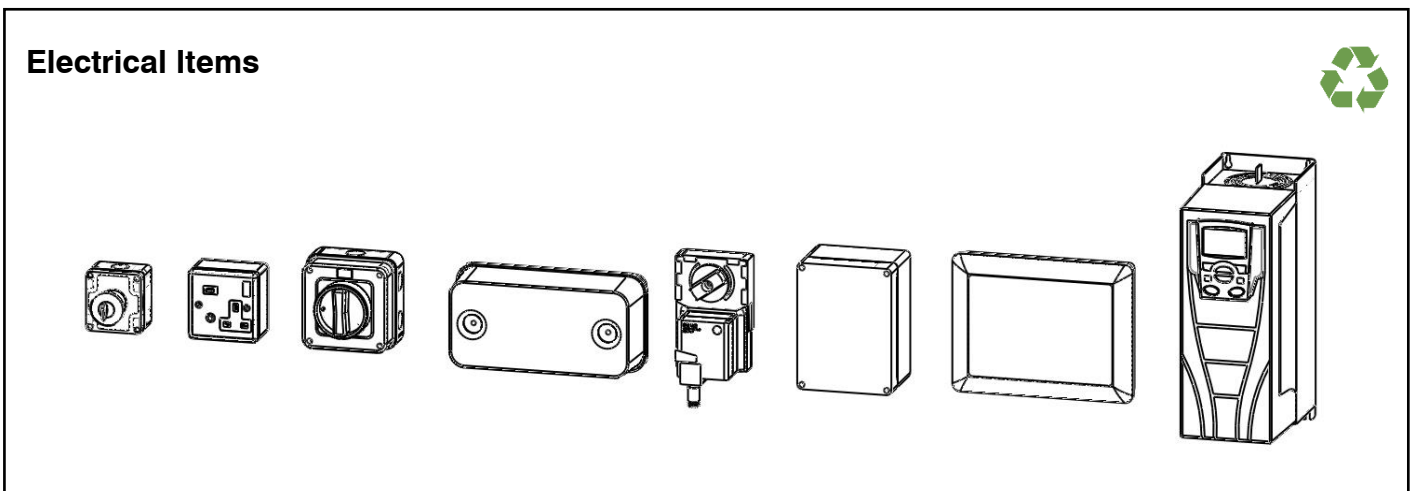
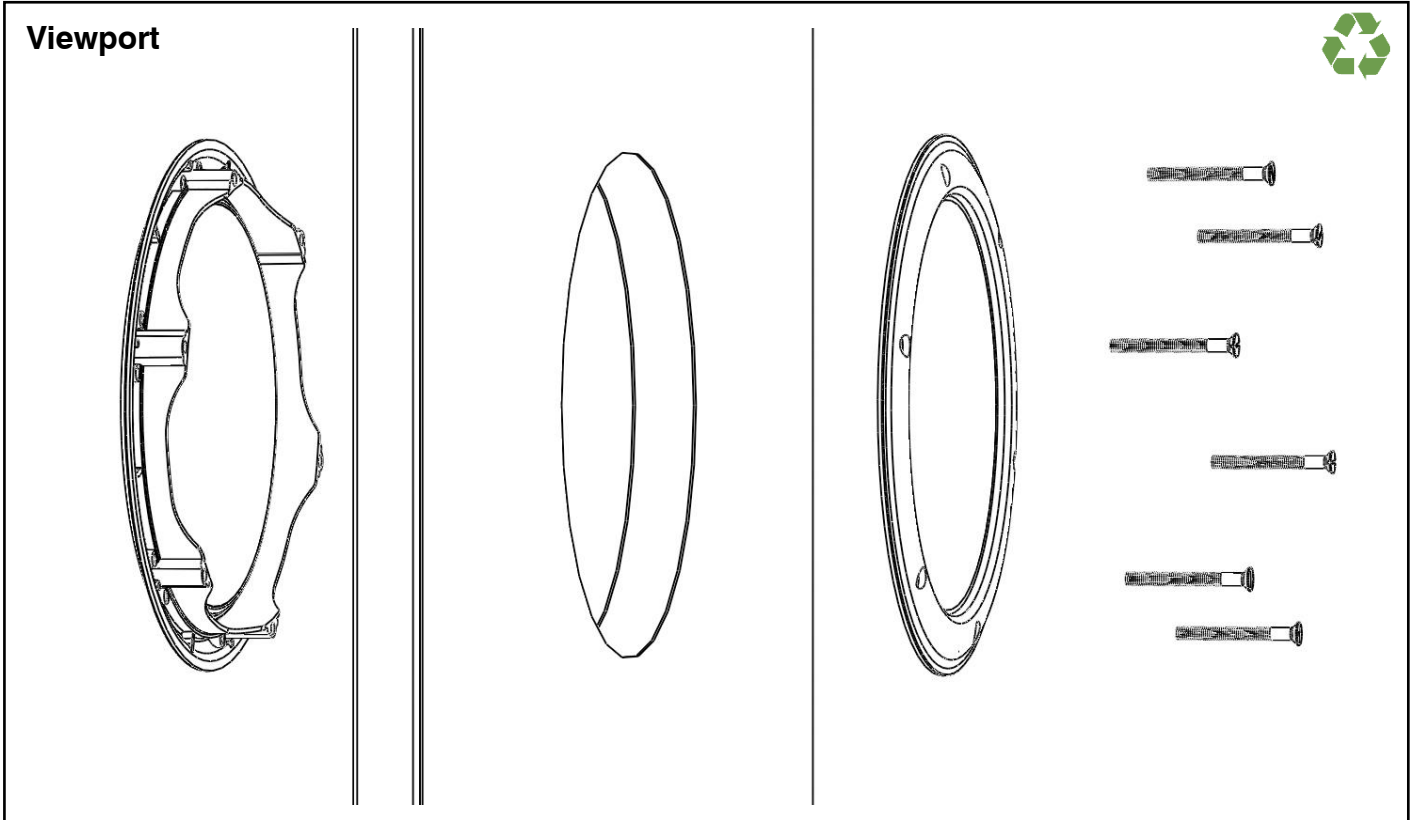


Hinge

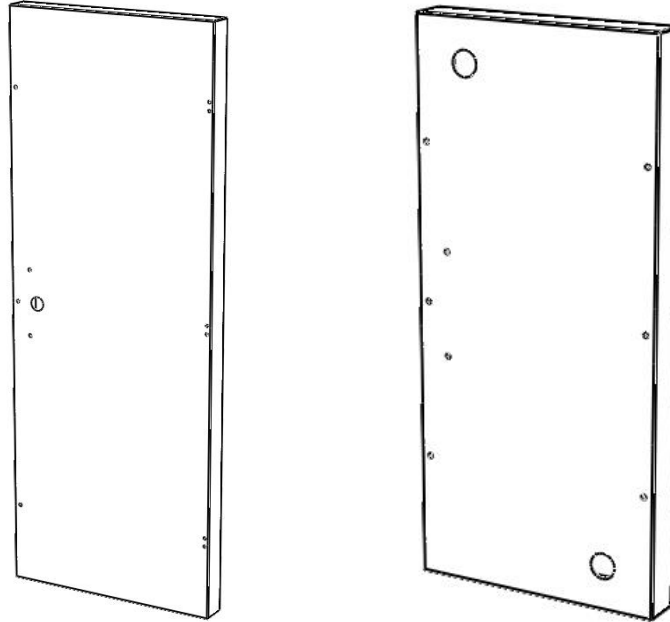


Handle

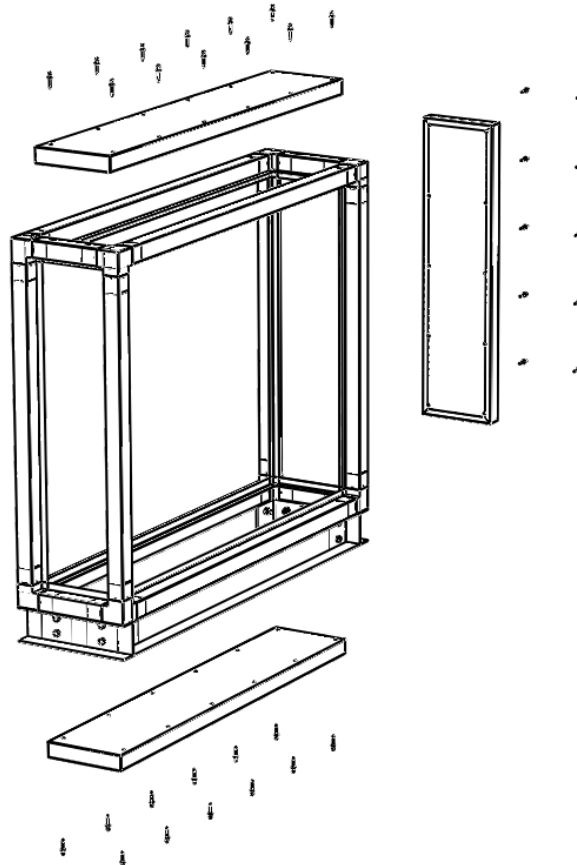


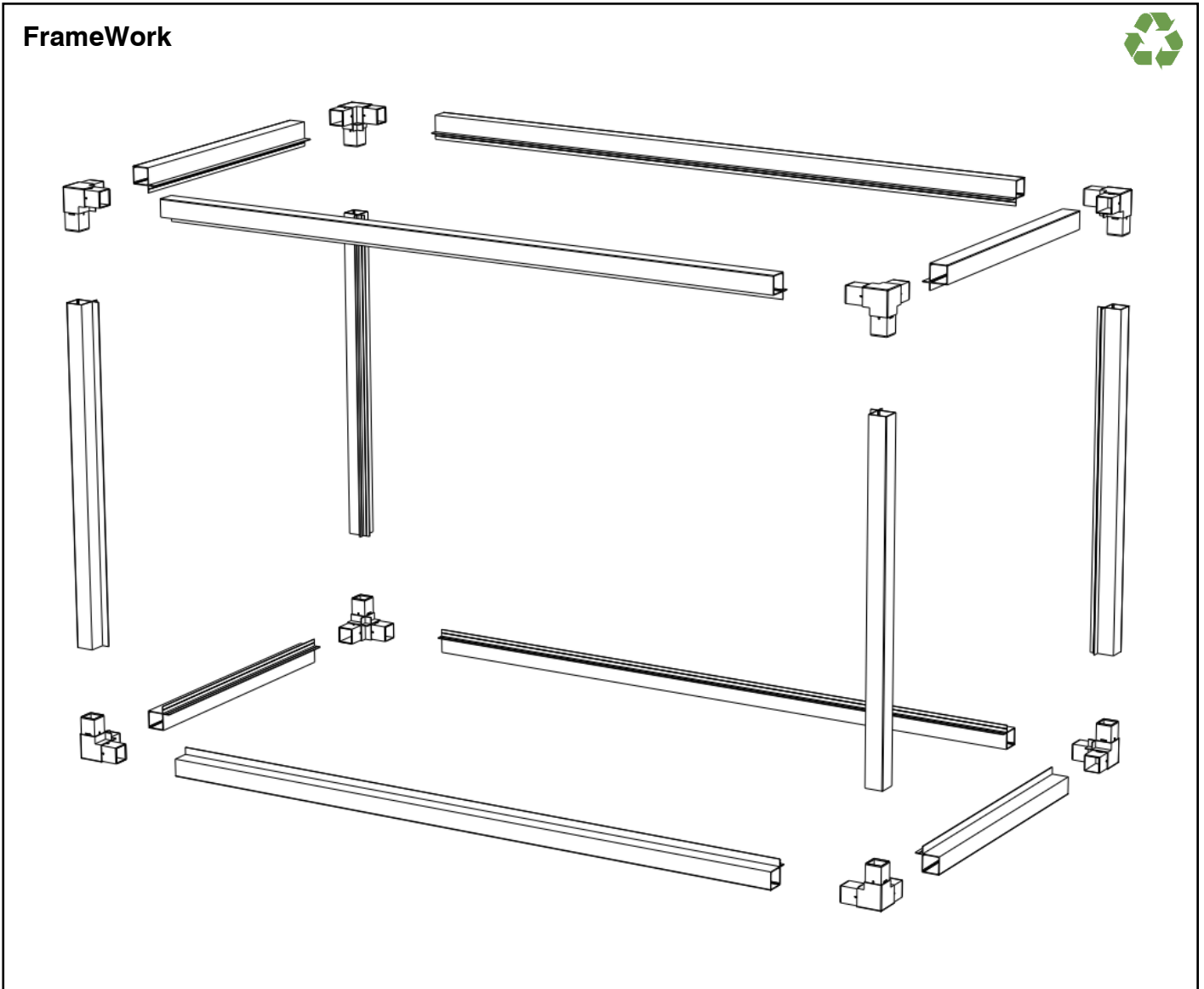


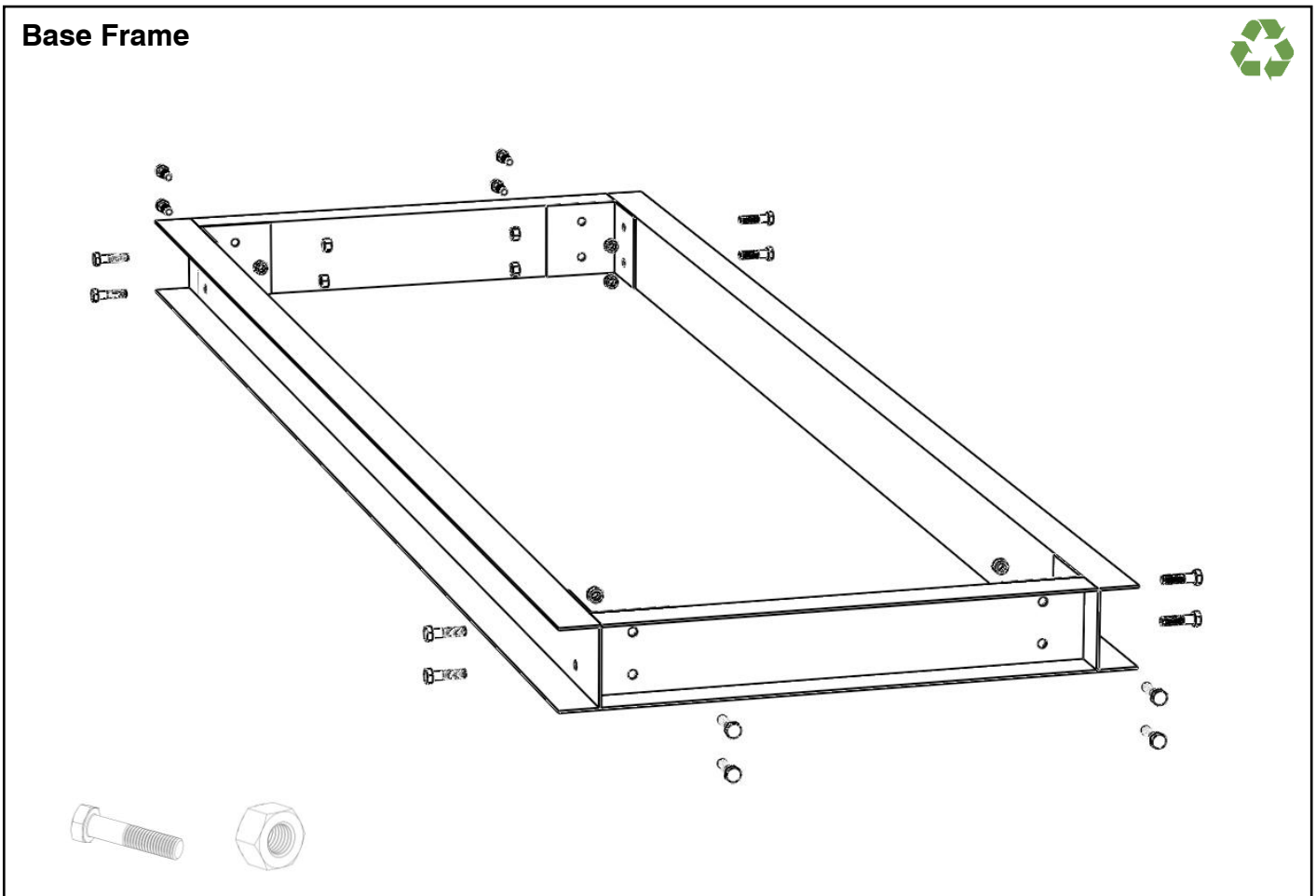
Panels



Fixed Panels







Typical Exploded Configuration

