

## IQ4E



BACnet™ is a trademark of ASHRAE.

### Description

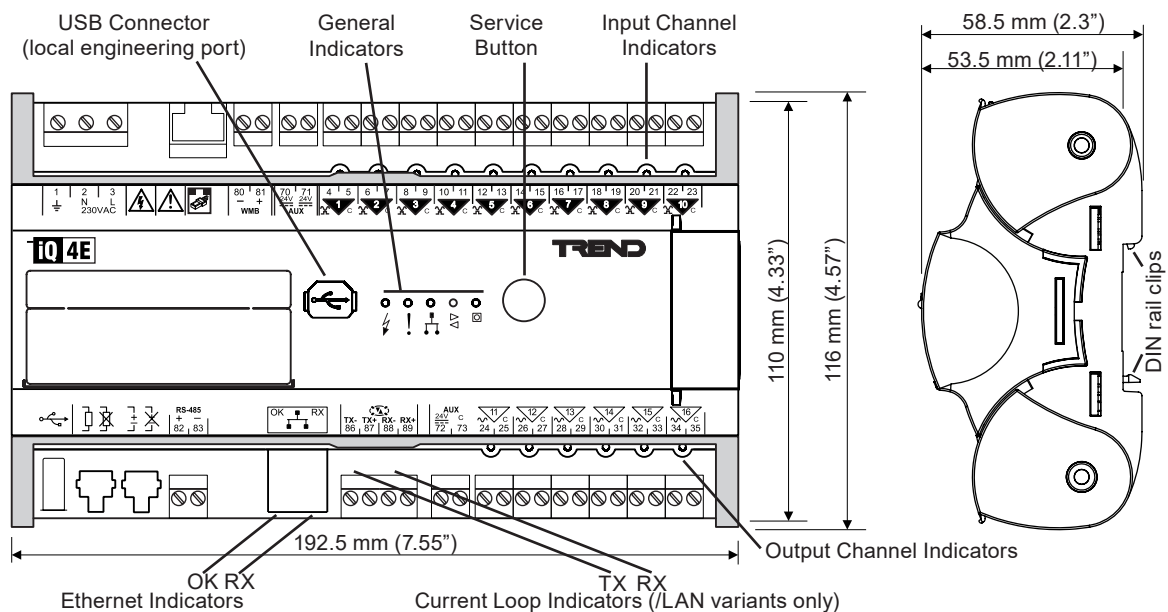
The IQ<sup>4</sup>E controller has 10 universal inputs and 6 analogue voltage outputs and is expandable up to 192 points (depending on the controller variant) by adding I/O modules. This flexibility makes it suitable for a broad range of applications.

The IQ4E controller uses Ethernet and TCP/IP networking technologies with embedded XML and is fully compatible with other Trend IQ controllers. The IQ4E supports BACnet over IP as standard. Trend communications over a current loop LAN is available as an option. A local PC or display (e.g. IQView4) can be connected to the RS232 port. A Wallbus port is also provided for use with room displays.

### Features

- 16 onboard I/O channels - 10 inputs and 6 outputs
- I/O bus supports up to a total of 192 I/O channels (depending on the controller variant) using additional I/O modules
- I/O bus length up to 300 m (328 yards)
- Ethernet 10/100 Mbps main network with TCP/IP protocol
- Trend current loop LAN option
- Embedded XML Web Services as standard
- BACnet over IP (certified BACnet Building Controller (B-BC))
- Wallbus for connection of room displays
- RS232 and USB local supervisor/engineering ports
- Automatic time synchronisation and daylight saving via SNTP
- DIN rail mounting, DIN 19 size 2 standard enclosure
- 230 Vac, 24 Vac or 48 Vdc input power supply options

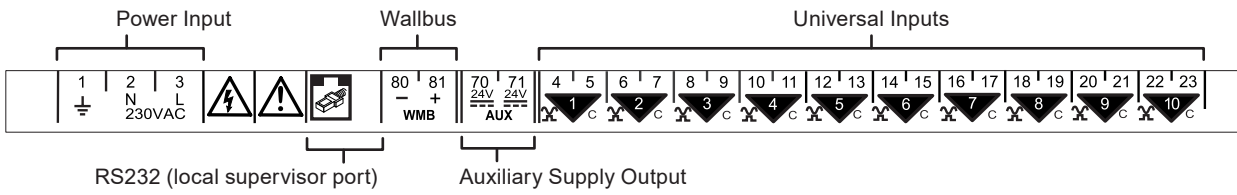
### Physical



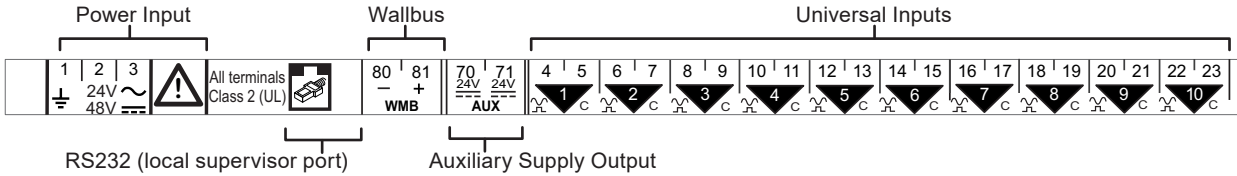
**Terminal Labels**

**Upper Labels**

IQ4E/..230

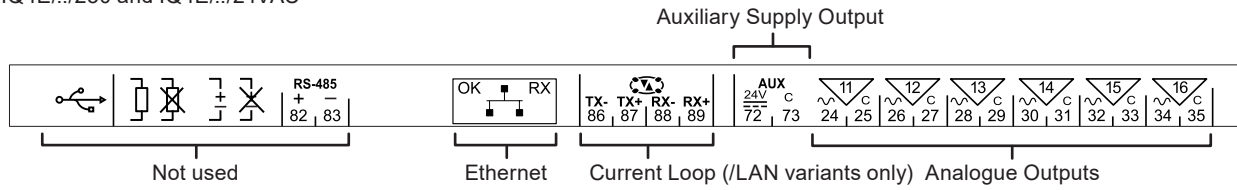


IQ4E/..24VAC



**Lower Label**

IQ4E/..230 and IQ4E/..24VAC



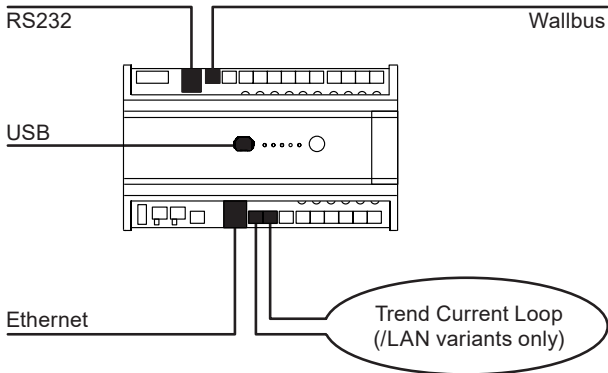
**FUNCTIONALITY**

The IQ4E's functionality can be divided into four sections: System, Hardware, Firmware, and Strategy.

**SYSTEM**

The IQ4E has communication ports for Ethernet, USB (Local Engineering), RS232 (Local Supervisor) and Wallbus. In addition /LAN variants have a Trend current loop:

In addition, the IQ4E has the ability to join an internetwork using its virtual INC (see 'Networking' on page 4 for further details).



Other devices connected to the Ethernet network can communicate with the IQ4E using IP addressing. Remote PCs can communicate through standard IT networks using IP, enabling communication from anywhere in the world.

*Note: Communication with the Trend network by a supervisor, tool or display will require the use of a virtual CNC (vCNC) in the IQ4E or another CNC on the network (see 'Networking' on page 4 for further details).*

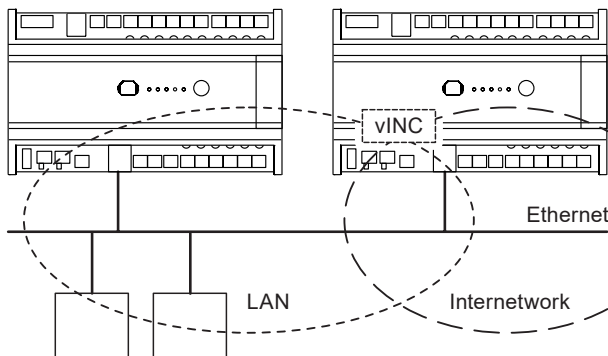
An integral web interface is also accessible over an Ethernet/IP connection (see 'Ethernet' on page 2).

The IQ4E supports either static or dynamic (DHCP) IP addressing. DHCP is enabled by default.

**Ethernet**

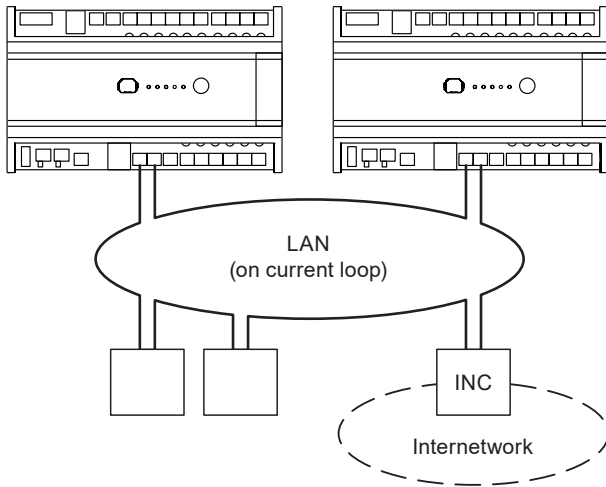
On units that do not have the current loop option (or on /LAN variants that have the current loop disabled) the IQ4E can form a Trend LAN with other devices over the Ethernet network.

Each IQ4E has a unique MAC (Media Access Control) address allocated to its Ethernet node. This can be used to help identify the IQ4E during configuration.



**Current Loop** (../LAN variants only)

On units that have the current loop option (which is enabled), the IQ4E will form a Trend LAN with other devices on the current loop.



*Note: In this configuration IQ4E cannot join a Trend LAN on Ethernet. However, access by IP is still possible.*

In order to join an internetwork, an INC type device will be required elsewhere on the current loop LAN.

The current loop may be wired in either a 2-wire or 4-wire configuration.

**Network Bypass Relay:** If the IQ4E loses power a set of bypass relays will close to maintain the integrity of the current loop network. If the relays close it will be recognised by a downstream device, and reported as a LAN Changed alarm.

**Baud Rate:** By default the IQ4E auto-detects the baud rate to use on the current loop. Where required, the rate can be set manually using configuration software.

**RS232 (Local Supervisor Port)**

An RS232 port is provided for the optional connection of local display devices, sensors or supervisory tools. Only one device may be connected at one time.

The connected device can be restricted to communicate only with the IQ4E or (if supported by the device) with the entire Trend network (see 'Networking' on page 4).

**USB (Local Engineering Port)**

The USB port allows connection of a PC running IQ®SET (System Engineering Tool). When connected in this way IQSET can communicate across the entire Trend network (see 'Networking' on page 4).

When not in use the connector is protected by a retained flexible plastic plug.

**Wallbus**

The Wallbus port facilitates the connection of room display devices (e.g. an RD-WMB series room display). Devices can be wired using either bus (daisy-chain) or star topology.

These devices offer control and indication of parameters such as setpoint, fan speed and occupancy, as well as sensing temperature, humidity and CO<sub>2</sub> levels.

**BACnet Communications**

The IQ4E controller is certified as a BACnet Building Controller (B-BC). BACnet is an open protocol that enables the products of a number of different manufacturers of building automation and control equipment to communicate with each other. It supports communication using BACnet over IP (Ethernet) including:

- Access to IQ4E parameters over BACnet,
- Alarm delivery,
- IC comms to a BACnet device.

A full specification of the objects, properties, and BIBBS (BACnet Interoperability Building Blocks) supported by the IQ4E are given in the IQ4 Protocol Implementation Conformance Statement (TP201248). The mapping of the BACnet properties to the Trend parameters is covered in the IQ4 Configuration Manual (TE201263).

**XML Web Services**

The IQ4E includes XML web services. XML is a general purpose specification for creating custom markup languages. It helps developers create web pages and also provides a basic syntax that enables information to be shared by different computers and applications. The IQ4E XML syntax is described in the IQ4 Configuration Manual (TE201263).

**Inputs and Outputs**

The IQ4E has 10 universal inputs and 6 analogue outputs, plus three 24 Vdc auxiliary supply output terminals for powering certain types of I/O devices. See 'Hardware' on page 4 for further details.

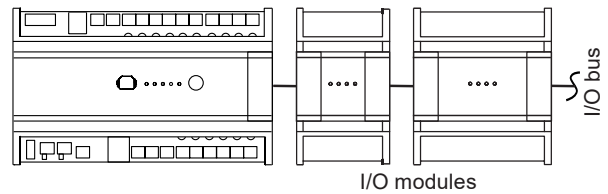
**Cable Screening**

The use of screened cable for input and/or output connections is not generally required unless the cable passes through electrically noisy environments.

If screened cable is used the screen must be connected to the local panel/enclosure ground and left unterminated at the far end.

**I/O Expansion Modules**

Further I/O channels can be added to the IQ4E by the connection of various types of I/O expansion modules to the I/O bus.



Several IQ4E variants are available to provide support for differing numbers of I/O channels up to a maximum of 192 (16 onboard, 176 on I/O bus) (see 'Order Codes' on page 10).

The following I/O module ranges are compatible with the IQ4E:

- IQ4/I/O - see IQ4/I/O Modules Data Sheet (TA201341).
- XCITE/I/O - see XCITE/I/O Modules Data Sheet (TA201352).

Up to 30 modules can be connected to the I/O bus, depending on the module range(s) used and the number of I/O channels supported by the controller (as described above).

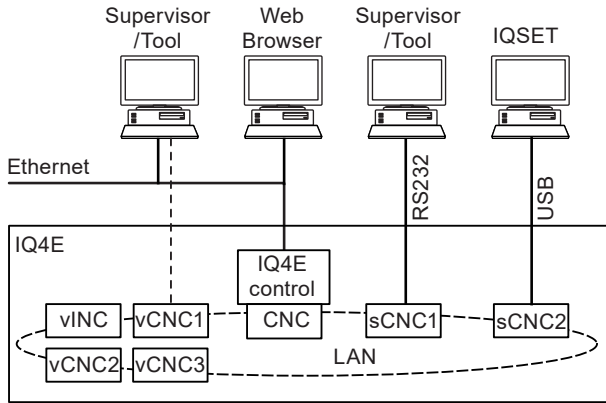
Module Range	IQ4/I/O only	IQ4/I/O and/or XCITE/I/O
Number of Modules	30	15

The last module on the I/O bus must be fitted with a terminator. A suitable terminator (compatible with IQ4/I/O modules only) is supplied with the IQ4E.

**Networking**

In order to connect to the Trend network the IQ4E will create its own internal LAN which includes the following nodes:

- a CNC for its own controller,
- a supervisor CNC (sCNC1) for its RS232 port,
- a supervisor CNC (sCNC2) for its USB port,
- three virtual CNCs (vCNC1, vCNC2 and vCNC3), and
- a virtual INC (vINC).



**Default CNC Addressing:** The IQ4E device (outstation) address is factory-set (in the Address module) as follows:

- Local LAN** set to 20
- Local Address** set on a rolling basis in the range 11 to 119, so that in a batch of IQ4Es, each will have a different default address (printed on the unit's serial label).

**sCNC1 Functionality:** If the RS232 port address is set to 0 (default), sCNC1 is disabled and a connected device can only communicate with the IQ4E. If the address is configured to be non-zero, sCNC1 is enabled with that address on the LAN and allows a connected device to communicate with the entire Trend network.

**sCNC2 Functionality:** When a PC running IQSET is connected to the USB port it uses sCNC2. If the USB port address is set to 0 (default), sCNC2 is dynamically created at address 125 for the duration of the IQSET session. When the PC is removed sCNC2 times out and no longer exists on the network. If the address is configured to be non-zero, sCNC2 remains on the network at all times.

**vCNC Functionality:** Allows a supervisor tool/display to make a permanent connection to the Trend network using TCP/IP. By default all vCNCs are disabled.

**vINC Functionality:** When the IQ4E joins a LAN on Ethernet, the controller with the lowest IP address assumes INC functionality (using its vINC at address 126); any vINCs in other controllers on that LAN will automatically be disabled. The vINC does not exist on a current loop LAN.

**IC Comms:** The IQ4E can communicate with other IQ controllers and BACnet devices using IC Comms. Some controllers running earlier versions of firmware may not support all IC Comms types. See 'Compatibility' on page 9.

**HARDWARE**

**Universal Inputs (IN1 to IN10)**

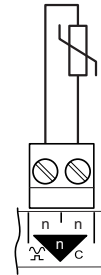
Each input channel will function as one of the following:

- thermistor input,
- voltage input,
- digital input, or
- current input.

The input function is set automatically by the IQ4E strategy.

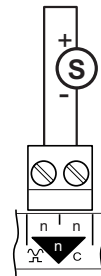
**Thermistor input:** Used for a thermistor (NTC 10 kΩ @ 25°C (77°F), -40 to 110°C (-40°F to 230°F)), potentiometer (0 to 200 kΩ) or fan speed control. The thermistor bridge resistor is 12 kΩ with a bridge supply 3.3 V.

Example wiring



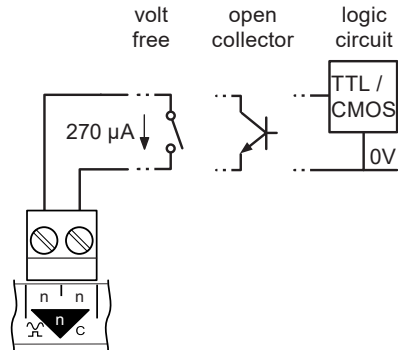
**Voltage input:** Used with a 0 to 10 Vdc source.

Example wiring



**Digital input:** Used for a volt free contact, logic circuit (e.g. TTL, CMOS), open collector (transistor) or open drain (FET).

Example wiring



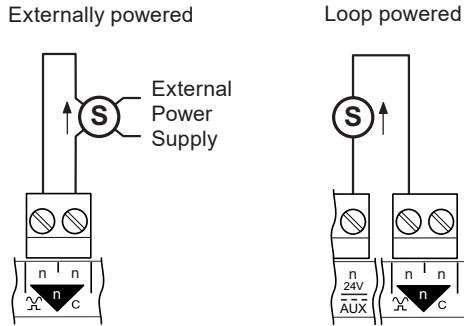
The volt free contact has a nominal wetting current of 270 μA. The input is ON when the contact is closed.

An open collector or open drain must be able to sink 270 μA. The input is ON when the transistor or FET conducts. Correct polarity must be observed.

A logic circuit must be able to sink 270 μA. The input will be ON when the voltage present on the input terminal is less than 2 Vdc (minimum 0 V). A voltage greater than 3.5 Vdc (maximum 50 Vdc) or open circuit will turn the input OFF. Voltage levels between 2 and 3.5 Vdc may cause indeterminate operation.

**Current input:** Used for 0 to 20 mA sources which can be externally powered or loop powered (from the Auxiliary Supply Output, i.e. one of the AUX terminals).

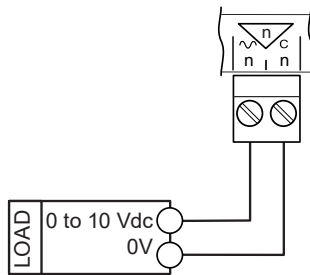
Example wiring



**Analogue Outputs (OUT11 to OUT16)**

These provide a variable control voltage between 0 and 10 Vdc. The output can source up to 20 mA (see “Combined Supply”) and sink up to 3 mA.

Example wiring



**Auxiliary Supply Output**

This output can be used to supply I/O devices (e.g. sensors). It provides 24 Vdc ±5% from AUX terminals 70, 71 and 72, with a return through terminal 73 or any ‘C’ terminal.

The maximum available current is internally limited as follows:

Auxiliary Output (AUX) Terminals		
70	71	72
120 mA shared		120 mA

The available current also depends on other current demands (see “Combined Supply”).

**Combined Supply**

The IQ4E’s combined supply provides power for the:

- Analogue outputs,
- Auxiliary supply terminals,
- Wallbus,
- RS232 port, and
- I/O Bus supply.

A maximum combined supply current of 800 mA is available. If the total power requirement of the combined supply exceeds this limit it will be necessary to power some of the items using external power sources.

*Note: For further details on calculating the available current from the combined supply - see the IQ4 Configuration Manual (TE201263).*

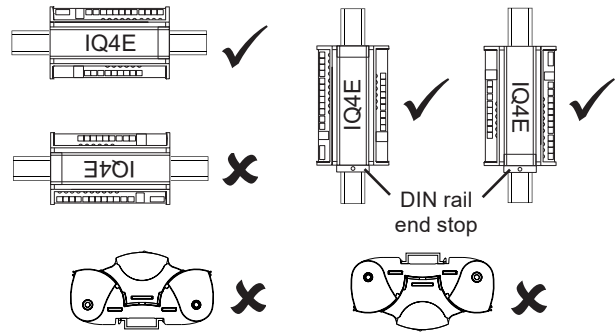
**Enclosure**

The IQ4E is housed in a polycarbonate case. Integral spring clips on the back of the case enable the unit to be clipped on to (and quickly released from) a standard TS35 DIN rail.

The /230 version must be installed in a secondary enclosure with a minimum protective rating of IP20 (or equivalent).

The /24VAC version must be installed in a secondary enclosure with a minimum protective rating of IP20 (or equivalent) or mounted outside normal reach (e.g. in a plenum).

The unit may be mounted horizontally or vertically but not upside down or on its back:



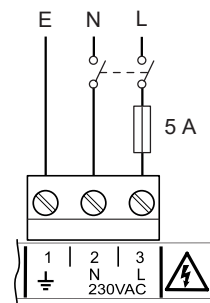
Rotating clear polycarbonate covers provide access for the power, communications and I/O connections.

**Input Power Supply**

The IQ4E/.. has both 230 Vac and 24 Vac input power options.

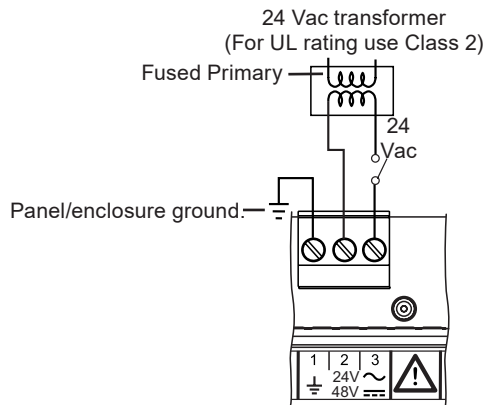
**/230:** This option requires a 230 Vac ±10%, 50/60 Hz supply. The input power earth (ground) terminal is isolated from the input power neutral, and must be separately earthed (grounded) locally; this ground terminal is internally connected to the IQ4E electronics earth (ground).

The 230 V supply must include a dedicated 5 A fuse complying with IEC60269 (BS1362) and a suitably rated switch in close proximity and be clearly marked as the disconnecting device for the unit. A 5 A circuit breaker with high breaking capacity may be used as an alternative.



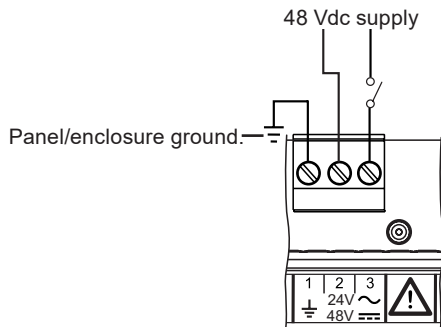
**/24VAC:** This option requires a 24 Vac  $\pm 10\%$ , 50/60 Hz, 44VA max or 48 Vdc  $\pm 15\%$  0.67A, 32 W supply.

24 Vac supply



The local earth terminal (1) must be earthed (grounded) at the controller. The 24 V supply must include a suitably rated switch in close proximity and be clearly marked as the disconnecting device for the unit. Do not position the equipment so that the disconnecting device is difficult to operate.

48 Vdc supply



*Note: Connection to the IQ4E is polarity independent.*

The local earth terminal (1) must be earthed (grounded) at the controller. The 48 V supply must include a suitably rated switch in close proximity and be clearly marked as the disconnecting device for the unit. Do not position the equipment so that the disconnecting device is difficult to operate.

**Service Button**

The Service Button can be used to generate a network message which identifies the IQ4E using its serial number to system tools, e.g. to find the IQ4E's device address and LAN number. It can also be used to reset the IQ4E to factory defaults; for further details see the IQ4 Configuration Manual (TE201263).

**Indicators**

Various indicators are provided giving feedback on the operational status of the controller.

**General** (in centre of cover):

Indicator	Colour	Function
Power	Green	Condition of input power supply
Watchdog	Red	Presence of a firmware/strategy fault
LAN OK	Green	Status of the Trend LAN (operational on /LAN variants only)
I/O Bus	Green	Status of connection to I/O modules
Service	Yellow	Service button activated. Flashes if a powered device is connected to the USB port when IQ4E is <i>not</i> powered

**Current Loop:** (adjacent to current loop connector - operational on /LAN variants only):

Indicator	Colour	Function
RX	Yellow	Status of connection to previous device
TX	Yellow	Status of connection to next device

**Ethernet:** (on end of Ethernet connector):

Indicator	Colour	Function
OK	Green	Status of connection (Ethernet LINK)
RX	Yellow	Presence of data reception

**Inputs/Outputs:** (in line with the appropriate I/O terminals and next to the label):

Indicator	Colour	Function
Input	Yellow	On/Off state of associated input (digital input mode only)
Output	Yellow	Light intensity varies with output voltage

**Backup**

The data (firmware, strategy, parameters) is stored in flash memory which is non-volatile in the case of power failure. Changes to the Address module are stored immediately. Other changes are generally stored around midnight, in addition structural changes (e.g. module interconnections) are stored 15 s after the last change, and critical data changes (e.g. strategy values), are stored on power failure or other similar fault conditions. The tools (e.g. IQSET) will send an archive instruction after parameter changes causing immediate storage of changes.

A supercap is used to maintain the real time clock (time and date). In the event of power failure this will support the clock for 8 days (typically).

*Note: Operation at elevated temperature or high humidity levels will reduce the lifetime of the supercap. Extended operation in these conditions may permanently reduce the capacity of this component and result in a reduction in the number of days that the controller can successfully backup the time and date.*

**Labels**

A small two part label is attached to the unit which displays the unit's serial number and MAC address (in both text and barcode format). Space is provided on the label for recording the unit's device (outstation) address, LAN number and IP address (if DHCP is not being used). It has a tear-off self-adhesive label strip that also contains the serial number and MAC address (text and barcode) which can be adhered to a paper record, e.g. a building plan or log book.

A second large adhesive label is also supplied which contains the unit's serial number in text and barcode formats. This is intended to be mounted on the outside of the equipment cabinet or enclosure containing the IQ4E. If the unit is located in a difficult-to-reach location, this label can be scanned from a distance using a suitable barcode scanner.

The barcodes on both labels conform to the 'code 128 auto' format.



## FIRMWARE

The firmware in the IQ4E controls its basic functionality and provides a range of modules that can be configured to produce a control strategy.

## Modules

The range of modules provided in the IQ4E firmware are listed in the table below. Full details of each module can be found in the IQ4 Configuration Manual (TE201263).

Module	brIQs	Max. number of Modules	Note
Address	24	1 (fixed)	③
Alarm Destination	14	(8)	
Alarm Group	9	500	
Alarm Route	9	500	
Alarm Log	0	1 (fixed)	③
Analog Node	16	4000	
Calendar	566	50	
Digital Byte	16	1012	
Digital Input	28	1500	①
Directory	13	500	
Display	19	1500	
Driver	57	500	①
Function	19	1000	①
IC Comms	19	IP network = 1000 Max of 500 shared between MSTP and current loop.	①⑤
Interface	130	500	①④
I/O Module	14	30	
Knob	13	1500	
Logic	19	1000	①
Loop	55	500	
Network	0		③
NTD	30	limited by max. brIQs only	
Option	0		③
OSS	34	500	
Page	4	500	
Plot	12	500	
Program	0	1 (fixed)	③
Schedule Offset	21	500	
Sensor	76	1500	①
Sensor type	12	99	
Sequence	106	1 (fixed) (see opposite for max. steps)	
States Category	0	50	
Switch	10	1500	
Time	38	1 (fixed)	
Time Schedule	566	100	②
User	12	500	
Virtual CNC	9	3	③

### Notes:

- ① The number of brIQs used on these modules varies with the module type. The largest size is shown here.
- ② Includes a maximum of 50 exceptions per module.
- ③ These modules are always present in the IQ4E.
- ④ Additional 5 brIQs required per input and output.
- ⑤ For IP networks a maximum of 1000 IC comms/COV subscriptions can be configured but there is a maximum transmission rate of 300 IC comms/COV subscriptions per minute. For MSTP and Trend current loop networks a maximum of 500 IC comms/COV subscriptions can be configured but there is a maximum transmission rate of 100 IC comms/COV subscriptions per minute shared between the two networks.

For more details see the IQ4 Configuration Manual (TE201263).

The quantity of each type of module may be adjusted to match the requirements of the application subject to the following:

- A maximum of 4000 modules in total,
- A maximum for each type of module, and
- The IQ4E's memory capacity (measured in 'brIQs').

The maximum number of modules for each type, and number of brIQs required per module are shown in the table above.

The total available memory capacity varies with the number of supported I/O channels:

Number of I/O channels	Max. brIQs available
16	30,000
32	30,000
64	30,000
96	45,000
128	60,000
160	75,000
192	90,000

## Plot Modules

The IQ4E's Plot modules can plot any connectable module output (analogue or digital). There are four types of Plot module: Synchronised, Triggered, Periodic and COV (change of value). Although all four types are BACnet interoperable, only periodic plots can be compliant with the BACnet standard. All Plot modules can generate a buffer ready alarm when the number of records equals a notification threshold.

The maximum number of records per plot is 1000. The maximum total number of records (for all plots) depends on the available plot memory (measured in log points) and the type of plots used – each Synchronised plot record requires 5 log points, while each Triggered, COV or Periodic plot record requires 10 log points:

number of I/O channels	maximum plot memory (log points)	max. number of records	
		synchronised plots	triggered or periodic plots
16	1,000,000	200,000	100,000
32	1,000,000	200,000	100,000
64	1,000,000	200,000	100,000
96	1,000,000	200,000	100,000
128	1,000,000	200,000	100,000
160	1,250,000	250,000	125,000
192	1,500,000	300,000	150,000

*Note: A maximum of 100 plots can be serviced in a 1 s period (e.g. 100 x 1 s plots only). This is calculated on the average plots serviced in 1 s, so a 1 minute plot would contribute a 1/60. For example 90 x 1 s plots plus 360 x 1 min would give 96 (90+6) plots per second on average. The periodic and triggered plots must also be counted and it's up to the engineer to make his best estimate.*

## Sequence Table Module

The maximum number of steps in the sequence table varies with the number of supported I/O channels:

Number of I/O channels	Max. sequence steps
16	600
32	600
64	640
96	960
128	1280
160	1600
192	1920

**BACnet COV Reporting and Receiving**

IQ4s BACnet Change Of Value (COV) services allow a COV client to receive reports from a COV server when the value of a referenced property changes. IQ4 provides both COV reporting (limited to 1000 COV subscriptions - see page 7 for limitations) and COV receiving facilities.

**Firmware Upgrades**

New versions of firmware may be made available from time to time to change or add functionality or to provide support for new products.

Firmware can be upgraded using a PC running the IQTool Firmware Upgrade Applet, and to the IQ4E connected over Ethernet (recommended for speed) or the Trend current loop.

**Timemaster**

The IQ4E can act as a system Timemaster to synchronise the time and date across the Trend system. It can use SNTP (simple network time protocol) to obtain precision current time from an unauthenticated NTP server on the Internet. Daylight saving can be implemented automatically (via timezone setting) or manually by specified dates and time adjustment.

**Alarms**

The IQ4E will generate Network, General, and Item alarms. Network alarms are generated by the Trend Network nodes, General alarms are generated when the IQ4E detects a problem within its own hardware or program, and Item alarms are generated by the strategy, and are normally due to a faulty plant condition.

Network alarms are sent to supervisors or tools connected to the RS232 local supervisor port, USB local engineering port, or to one of the controller's vCNCs.

General and Item alarms can be sent either to a designated Trend LAN address, to an IP address, or as an email. Alternatively, certain Item alarms (sensor, digital input, digital driver readback, and plot), can be sent to a BACnet device.

Alarms sent to a Trend LAN address, or to an IP address can either be sent in text, coded, or attribute format. Network alarms are sent in text format only.

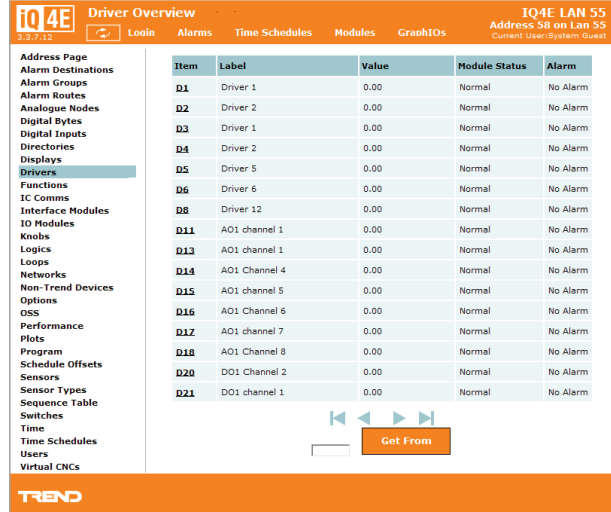
For coded alarms the protocol limits the item number to 255 maximum. For text alarms the maximum item label length is 20 characters (although the 963 can be set up to use labels previously learnt).

Sending an alarm by email requires the Email Server Address to be set up in the address module. The Email Server Address can be an IP address, an internet domain name, or a host name; the internet domain name or host name require a DNS server address or a WINS server address respectively to be set up in the network module so that the name can be resolved.

All alarms (except Network alarms) are also stored locally in the Alarm Log. The alarm log can record up to 300 alarms. Once this limit is reached each new alarm will overwrite the oldest record.

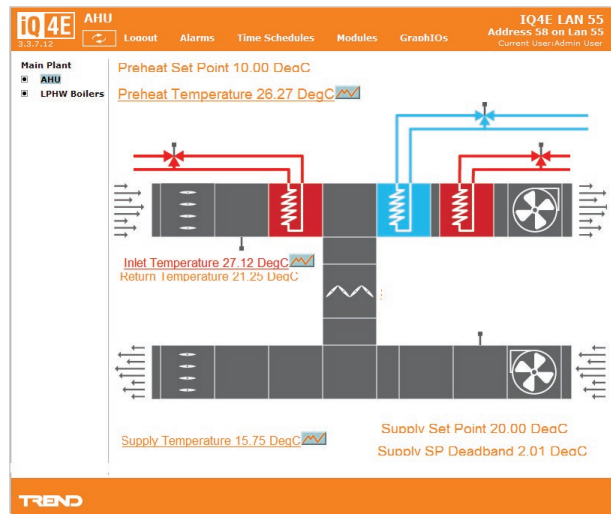
**Web Server**

Information from the IQ4 can be viewed or adjusted from a web client (PC, tablet or smartphone) over any TCP/IP network (e.g. company intranets) using secure HTTPS protocol. All that is required is the IQ4's IP address or host name, and a user name and password. Once connection to the controller has been made, it is possible to view/adjust occupation times, view the alarm log, and view/adjust/graph individual module parameters.



The web interface does not allow the strategy structure to be modified (e.g. changing module interconnections, adding or deleting modules).

Graphical display pages (GraphIQs), which are configured using IQ4E's display and directory modules, can also be accessed.



For further details of web pages see the IQ4 Configuration Manual (TE201263), the IQ4 Web User Guide (TC201256), and the Graphical Display Pages Editor Manual (TE200629).

**Language**

The user can specify which language the IQ4E uses for the display of web pages and for transmitted alarms. The standard languages are in the controller as supplied. In the controller the Address module has a language parameter which will be set to the default language, but can be changed to any one of the other available languages. The IQ4E can use languages which require 8 bit code (i.e. special or accented characters) and can also operate with right to left languages (e.g. Chinese, Arabic).

**Identification**

The IQ4E will identify itself as an IQ4 to w comms.



## STRATEGY

In order to operate as a controller, the modules provided by the firmware must be configured to define the way the controller is to control the connected equipment. This configuration is known as the strategy. Strategies are configured using the System Engineering Tool (IQSET).

This produces a strategy file (filename.IQ4) that can be downloaded to the controller to define its operation. This file consists of all the strategy module instances, their parameters, and links. When this is downloaded it is stored in the controller and then run using the controller firmware.

For details of using IQSET see the System Engineering Tool Manual (TE200147).

## FIELD MAINTENANCE

The IQ4E requires no routine maintenance.



**WARNING:** Contains no serviceable parts. Do not attempt to open the unit. Failure to comply may cause damage to the unit.

## DISPOSAL

COSHH (Control of Substances Hazardous to Health - UK Government Regulations 2002) ASSESSMENT FOR DISPOSAL OF IQ4E.

### RECYCLING

All plastic and metal parts are recyclable. The printed circuit board may be sent to any PCB recovery contractor to recover some of the components for any metals such as gold and silver.



### WEEE Directive:

At the end of their useful life the packaging, and product should be disposed of by a suitable recycling centre.

Do not dispose of with normal household waste.  
Do not burn.

## COMPATIBILITY

**Browsers:** This device has been successfully tested with Internet Explorer (v10 & 11), Chrome (v29.0.1547.0), Mozilla Firefox (v23), Safari (v5.1.7) and with the default browser on the following device operating systems:

Apple iOS 8.1.3  
Android 5.0 'Lollipop'  
Windows Phone 8.1

It should work with all modern browsers, smart phones, and tablets (with JavaScript enabled) available at the date of release of this product.

Owing to the rapidly changing nature of web devices, new devices and browsers will become available after the release of this product.

**Supervisors and Displays:** 963 v3.5 or greater, 916, IQView, IQView4, IQView8, RD-IQ, SDU-xcite.

*Note: The NDP is not compatible with IQ4E; it will not recognise an IQ4E connected to its network.*

**Wallbus:** RD-WMB, RS-WMB, RV-WMB.

**Utility Software:** IQSET v7.10 or greater

**I/O Modules:** IQ4/I/O range, XCITE/I/O (IQ3) range.

**IC Comms:** IQ4, IQ3, IQ2, IQeco, IQL, and IQ1 (v3 onwards).

*Note: Some controllers running earlier versions of firmware may not support all IC Comms types. Refer to the IQ4 Configuration Manual (TE201263) for full compatibility details. For details on using IC Comms with IQL controllers refer to the Trend LonWorks Products Engineering Manual (TE200292).*

**Controllers:** IQ3/IQ4 directly and IQ1, IQ2, IQL by way of XTEND. IQ4E/..LAN communicates with IQ2, IQ1 directly. IQeco by way of IQ4NC.

**Strategies:** IQ1, IQ2, IQ3 can be imported into IQSET, converted into IQ4 strategies, and then downloaded into an IQ4E. If the strategy file accesses I/O channels beyond those available in the IQ4E the strategy will be rejected.

**Ethernet Nodes:** XTEND, NXIP, or EINC.

*Note: NXIP or EINC must not be used in an automatic IP addressing (DHCP) environment.*

**BACnet Devices:** The IQ4E controller is certified as a BACnet Building Controller (B-BC), for details of the certification go to:

<http://www.bacnetinternational.net/btl/index.php?m=52>.

Compatibility is defined in IQ4 Product Implementation Conformance Statement (TP201248).

## INSTALLATION

The IQ4E is designed to be clipped on to a standard TS35 DIN rail. The IQ4E must be installed in a secondary enclosure with a minimum protective rating of IP20 (or equivalent). The /24VAC version can also be mounted outside normal reach (e.g. in a plenum).

The installation procedure involves:

Mounting the controller in position	Setting up IP address parameters (if using Ethernet)
Connecting power	Setting up LAN number and device address,
Connecting Ethernet (if required)	Checking network
Connecting RS232 (if required)	Configuring the strategy
Connecting Current Loop (../LAN only)	Testing strategy using Controller Simulation in IQSET
Connecting the I/O channels (as required)	Downloading strategy and other configuration files
Connecting Wallbus (if required)	Check BACnet communications
Mounting and connecting I/O modules (if required)	Connecting inputs and checking operation
Powering up	Connecting outputs and checking operation

A full description of installing the unit is given in the IQ4E/.., IQ4NC/16/.., IQ4NC/32/.. Installation Instructions - Mounting (TG201338) and IQ4E/.. IQ4NC/16/..., IQ4NC/32/... Installation Instructions - Configuring (TG201339).

## ORDER CODES

IQ4E/[CHAN]/[LAN]/BAC/[Power]

<b>[CHAN]</b>	Number of supported I/O channels: 16, 32, 64, 96, 128, 160, 192	
<b>[LAN]</b>	Blank	No Trend current loop
	LAN	Trend current loop option fitted
<b>[Power]</b>	230	230 Vac input power supply
	24VAC	24 Vac/48 Vdc input power supply

Note: XML web services are included as standard in the IQ4E.

<b>IQ4E/16/BAC/230</b>	IQ4E with 16 I/O channels and 230 Vac supply
<b>IQ4E/32/BAC/230</b>	IQ4E expandable to 32 I/O channels and 230 Vac supply
<b>IQ4E/64/BAC/230</b>	IQ4E expandable to 64 I/O channels and 230 Vac supply
<b>IQ4E/96/BAC/230</b>	IQ4E expandable to 96 I/O channels and 230 Vac supply
<b>IQ4E/128/BAC/230</b>	IQ4E expandable to 128 I/O channels and 230 Vac supply
<b>IQ4E/160/BAC/230</b>	IQ4E expandable to 160 I/O channels and 230 Vac supply
<b>IQ4E/192/BAC/230</b>	IQ4E expandable to 192 I/O channels and 230 Vac supply
<b>IQ4E/16/BAC/24VAC</b>	IQ4E with 16 I/O channels and 24 Vac/48V supply
<b>IQ4E/32/BAC/24VAC</b>	IQ4E expandable to 32 I/O channels and 24 Vac/48V dc supply
<b>IQ4E/64/BAC/24VAC</b>	IQ4E expandable to 64 I/O channels and 24 Vac/48V dc supply
<b>IQ4E/96/BAC/24VAC</b>	IQ4E expandable to 96 I/O channels and 24 Vac/48V dc supply
<b>IQ4E/128/BAC/24VAC</b>	IQ4E expandable to 128 I/O channels and 24 Vac/48V dc supply
<b>IQ4E/160/BAC/24VAC</b>	IQ4E expandable to 160 I/O channels and 24 Vac/48V dc supply
<b>IQ4E/192/BAC/24VAC</b>	IQ4E expandable to 192 I/O channels and 24 Vac/48V dc supply
<b>IQ4E/16/LAN/BAC/230</b>	IQ4E with 16 I/O channels, Trend current loop and 230 Vac supply
<b>IQ4E/32/LAN/BAC/230</b>	IQ4E expandable to 32 I/O channels, Trend current loop and 230 Vac supply
<b>IQ4E/64/LAN/BAC/230</b>	IQ4E expandable to 64 I/O channels, Trend current loop and 230 Vac supply
<b>IQ4E/96/LAN/BAC/230</b>	IQ4E expandable to 96 I/O channels, Trend current loop and 230 Vac supply
<b>IQ4E/128/LAN/BAC/230</b>	IQ4E expandable to 128 I/O channels, Trend current loop and 230 Vac supply
<b>IQ4E/160/LAN/BAC/230</b>	IQ4E expandable to 160 I/O channels, Trend current loop and 230 Vac supply
<b>IQ4E/192/LAN/BAC/230</b>	IQ4E expandable to 192 I/O channels, Trend current loop and 230 Vac supply
<b>IQ4E/16/LAN/BAC/24VAC</b>	IQ4E with 16 I/O channels, Trend current loop and 24 Vac/48V dc supply
<b>IQ4E/32/LAN/BAC/24VAC</b>	IQ4E expandable to 32 I/O channels, Trend current loop and 24 Vac/48V dc supply
<b>IQ4E/64/LAN/BAC/24VAC</b>	IQ4E expandable to 64 I/O channels, Trend current loop and 24 Vac/48V dc supply
<b>IQ4E/96/LAN/BAC/24VAC</b>	IQ4E expandable to 96 I/O channels, Trend current loop and 24 Vac/48V dc supply
<b>IQ4E/128/LAN/BAC/24VAC</b>	IQ4E expandable to 128 I/O channels, Trend current loop and 24 Vac/48V dc supply
<b>IQ4E/160/LAN/BAC/24VAC</b>	IQ4E expandable to 160 I/O channels, Trend current loop and 24 Vac/48V dc supply
<b>IQ4E/192/LAN/BAC/24VAC</b>	IQ4E expandable to 192 I/O channels, Trend current loop and 24 Vac/48V dc supply

## UPGRADES

If the number of supported I/O channels needs to be increased, the following controller upgrades are available:

<b>IQ4E/16-32/UP</b>	Upgrade from 16 to 32 channels
<b>IQ4E/32-64/UP</b>	Upgrade from 32 to 64 channels
<b>IQ4E/64-96/UP</b>	Upgrade from 64 to 96 channels
<b>IQ4E/96-128/UP</b>	Upgrade from 96 to 128 channels
<b>IQ4E/128-160/UP</b>	Upgrade from 128 to 160 channels
<b>IQ4E/160-192/UP</b>	Upgrade from 160 to 192 channels

Note: An upgrade will only increase the number of I/O channels that are supported in the firmware; an upgrade does not change the hardware. Additional I/O modules will be required to make use of the extra channels.

<b>IQ4/XNC/UP</b>	Upgrade from an IQ4E/96/... to an IQ4E/96/XNC/... controller.
-------------------	---

## ACCESSORIES

**IQ4/IO/..**  
**XCITE/IO/..**

Range of IQ4/IO modules - see IQ4/IO Modules Data Sheet (TA201341)  
Range of XCITE/IO modules - see XCITE/IO Modules Data Sheet (TA201352)

## SPECIFICATIONS

## ELECTRICAL

Power Input	
/230	:230 Vac ±10% 50/60 Hz, 70 VA max.
/24VAC	:24 Vac ±10% 50/60 Hz, 44 VA max or :48 Vdc ±15% 0.67A, 32 W
Fusing	:No replaceable fuses required.
Power Failure Protection	
Strategy & data	:non-volatile flash memory.
Real time clock	:supercap, maintained for up to 8 days (typical).
Clock Accuracy	:10 s per month (typical).
Cycle Time	:Sequence table 1s.

## Ethernet Network

Transmission	:10/100 BASE-T (IEEE 802.3).
Connection	:RJ45, auto MDI-X.
Cable Type	:Cat 5e, UTP (unshielded twisted pair).
Distance (to hub)	:100 m (109 yds) maximum.
Virtual CNCs	:3.
Addresses	:Not set by default – set to desired value in range 1 to 119 (excluding 2, 3, & 10) using configuration mode. Address must be unique on LAN.

## Current Loop (LAN variants only)

Transmission	:20 mA, two wire current loop, opto-isolated, polarity independent receiver, balanced transmitter.
Baud Rate	:1k2, 4k8, 9k6, 19k2, or 38k4; auto-detected (default) or settable in software.
Device Address	:1 to 119, (2, 3 and 10 not permitted) settable in software.
LAN Number	:1 to 119, (2, 3 and 10 not permitted) settable in software.
Distance (node-node)	:dependent on cable type and baud rate (see table below):

Cable	Type	Baud Rate				
		1k2	4k8	9k6	19k2	38k4
Trend TP/2/2/22/ HF/200 Belden 8723	Shielded twisted pair 2 pairs (4 conductors)					
Trend TP/1/1/22/ HF/200 Belden 8761	Shielded twisted pair 1 pair (2 conductors)	1000 m (1090 yds)			700 m (765 yds)	350 m (380 yds)
Belden 9182 Belden 9207	Twinaxial (2 conductors)					

*Note: Adjacent devices may specify different maximum cable lengths and baud rates. The shortest cable length (for chosen baud rate) applies when connecting to the IQ4E current loop.*

## RS232 Local Supervisor Port

Transmission	:RS232, EIA/TIA/232E, V28 supports Trend System comms.
Distance	:15 m (16 yards) maximum.
Supply	24 Vdc ±5%; 60 mA maximum.
Baud Rate	:9k6.
Address (sCNC1)	:1 to 119, (2, 3 and 10 not permitted) settable in software.

## Wallbus

Cable Type	:Unscreened twisted pair.
Distance	:60 m (200 ft) maximum.

Supply Current	:50 mA maximum*.
Number of Devices	:up to 14 (subject to power loading)

## USB Local Engineering Port

Transmission	:USB 2.0.
Data Rate	:480 Mbits/s (Hi-Speed).
Distance	:5 m (5 yards) maximum.
Address (sCNC2)	:1 to 119, (2, 3 and 10 not permitted) settable in software.

## I/O Bus

Maximum Total Length	:300 m (328 yds), using IQ4/IO modules only; 30 m (33 yds), using IQ4/IO and/or XCITE/IO modules.
Maximum Modules	:30 (IQ4/IO modules only); 15 (IQ4/IO and/or XCITE/IO modules).
Maximum Channels	:192 (including 16 onboard).
Bus Supply	24 Vdc ±5%; 800 mA maximum*.
Cable Type	:Belden 3084A (up to 100 m); Belden 7895A (up to 300 m).

For further details see:

IQ4/IO Modules Data Sheet (TA201341);  
XCITE/IO Modules Data Sheet (TA201352).

## Inputs/Outputs

## Universal Inputs

Number of Channels	:10.
Function	:Measuring voltage, current, thermistor or digital input (function set by strategy).
Input Noise Rejection	:Minimum 60 dB series mode rejection at input power supply frequency.
Input Resolution	:12 bit (4096 steps).
Voltage Input	
Input range	:0 to 10 V.
Input resistance	:9.4 kΩ.
Accuracy	:±0.5% of span (50 mV).
Current Input	
Input range	:0 to 20 mA.
Input resistance	:120 Ω.
Accuracy	:±0.5% of span (100 µA).

## Thermistor Input

Temperature (NTC)	10 kΩ @ 25°C (77°F))
Input range	:-40°C to 110°C (-40°F to 230°F)
Accuracy	:±0.3°C (-20°C to 90°C (-4°F to 194°F)); ±0.4°C (<-20°C (-4°F) or >90°C (194°F))

Resistance	
Input range	:0 to 200 kΩ
Accuracy	:1% of measured value or 10 Ω, whichever is the greater

Bridge resistor	:12.2 kΩ.
Bridge supply	:3.3 V.

## Digital Input

Input voltage	:0 to 5 Vdc typical (50 Vdc maximum).
ON state	:<2.5 V @ 270 µA (sink).
OFF state	:>3.5 V (or open circuit).
Count rate	:30 Hz max. (pulse width ≥16.6 ms).

## Analogue Outputs

Number of Channels	:6.
Function	:Variable control from strategy of valve/damper actuators, voltage to current/pressure converters, relay modules, lighting dimmers, etc.
Voltage Range	:0 to 10 Vdc.
Current (maximum*)	:up to 20 mA (source) or 3 mA (sink).
Accuracy	:±0.5% of span.
Resolution	:11 bit (2048 steps).

**Auxiliary Supply Output**

Voltage	:24 Vdc ±5%.
Current (maximum*)	:120 mA shared between terminals 70 and 71, plus 120 mA from terminal 72.

\*Available current may be affected by demands on other outputs - see 'Combined Supply' on page 5.

**INDICATORS**

Power (⚡)	:Green LED
Watchdog (🐕)	:Red LED
LAN OK (🟢)	:Green LED
I/O Bus (📶)	:Green/Red LED
Service Button (🔘)	:Yellow LED
RX (current loop)	:Yellow LED
TX (current loop)	:Yellow LED
OK (Ethernet)	:Green LED
RX (Ethernet)	:Yellow LED
IN1 to IN10	:Yellow LED
OUT11 to OUT16	:Yellow LED

**MECHANICAL**

Dimensions (WxHxD)	:192.5 mm (7.55") x 116 mm (4.57") x 58.5 mm (2.3").
--------------------	--

**Material**

Main body	:Flame Retardant Polycarbonate (white)
Terminal covers	:Flame Retardant Polycarbonate (translucent orange).

**Weight**

/24VAC	:0.51 kg (1.14 lb)
/230	:0.52 kg (1.15 lb)

Mounting	:TS35 DIN Rail (EN500022).
----------	----------------------------

**Connectors****Power**

Connector type	:2 part connector with rising cage clamp screw terminals.
Cable size	:0.14 to 2.5 mm <sup>2</sup> (22 to 12 AWG). For UL compliance the input power connections must be made using 18 AWG or larger wire rated at least 90°C (194 °F). For UL compliance use copper cable only.

**Inputs/Outputs, Current Loop, Wallbus & AUX (power out).**

Connector type:	:2 part connector (0.2" pitch) with rising cage clamp screw terminals.
-----------------	--

Cable size	:0.14 to 2.5 mm <sup>2</sup> (22 to 12 AWG)
I/O Bus	:PCB edge connector for use with IQ4/IC/LINK rigid interconnector, IQ4/IC/ADPT cable adapter, or IQ4/IC/TERM terminator. For UL compliance use copper cable only.

RS232 Supervisor Port	:RJ11 (FCC68).
Ethernet Port	:RJ45 connector.
USB Engineering Port	:Micro B connector.
USB Expansion Port	:USB Type A (for future use)

**ENVIRONMENTAL**

EMC Immunity	:EN61326-1:2013. :Table 2 - for equipment intended for use in industrial locations.
--------------	--

Emissions	:Class B.
-----------	-----------

**Safety**

/230	EN61010-1:2010.
/24VAC	EN60730-1:2016.

**CB certificates**

IQ4E/LAN/230	:NO90303
IQ4E/230	:NO90304
IQ4E/LAN/24VAC	:TBD
IQ4E/24VAC	:TBD

USA/Canada :IQ4E/.. /24VAC controllers are UL rated as 'UL60730-1 Automatic electrical controls for household and similar use', and UL916 listed open energy management equipment'.

Canada :CSA22.2 No. 205-M1983 - Signal Equipment.

**Ambient limits**

Storage	:-25°C (-13°F) to +60°C (+140°F).
Operating	:-25°C (-13°F) to +55°C (+131°F).

*Note: For temperatures below 0°C (32°F) special care must be taken that there is no condensation on or within the unit.*

Humidity	:0 to 90%RH non-condensing.
Altitude	:<4000 m (13124').
Pollution Degree	:2 (Only non-conducting pollution occurs).
Protection	:IP20 if mounted in an enclosure rated at IP20 or equivalent.

iPad and iPhone are trademarks of Apple Inc., registered in the U.S. and other countries. Android is a trademark of Google Inc. Windows is either a registered trademark or trademark of Microsoft Corporation in the United States and/or other countries

Please send any comments about this or any other Trend technical publication to [techpubs@trendcontrols.com](mailto:techpubs@trendcontrols.com)

© 2018 Honeywell Technologies Sàrl, E&ES Division. All rights reserved. Manufactured for and on behalf of the Environmental & Energy Solutions Division of Honeywell Technologies Sàrl, Z.A. La Pièce, 16, 1180 Rolle, Switzerland by its Authorized Representative, Trend Control Systems Limited.

Trend Control Systems Limited reserves the right to revise this publication from time to time and make changes to the content hereof without obligation to notify any person of such revisions or changes.

**Trend Control Systems Limited**

St. Marks Court, North Street, Horsham, West Sussex, RH12 1BW, UK. Tel:+44 (0)1403 211888, [www.trendcontrols.com](http://www.trendcontrols.com)