

Important: Retain these instructions

These instructions shall be used by trained service personnel only. If the equipment is used in a manner not specified by these instructions, the protection provided by the equipment may be impaired.

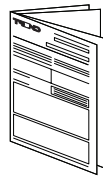
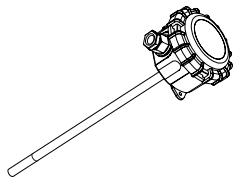
<https://partners.trendcontrols.com>



CONTENTS

1	Unpacking	1	4	Cleaning and Maintenance	4
2	Storing	1	5	Disposal.....	4
3	Installation	1			

1 BOX CONTENTS



CO2/T/D Installation Instructions (TG201170)

2 STORING



-20°C (-4°F) → +60°C (+140°F)

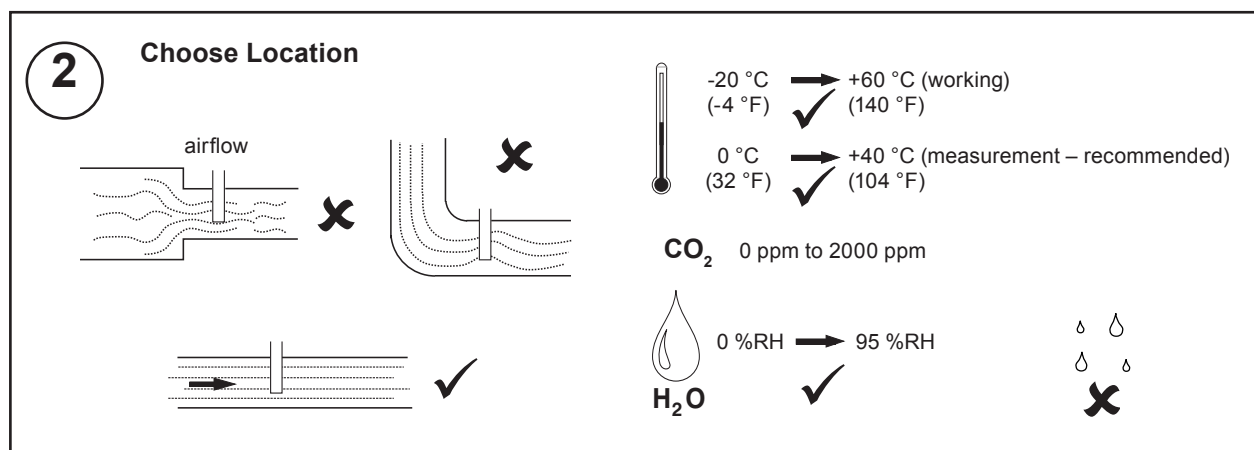
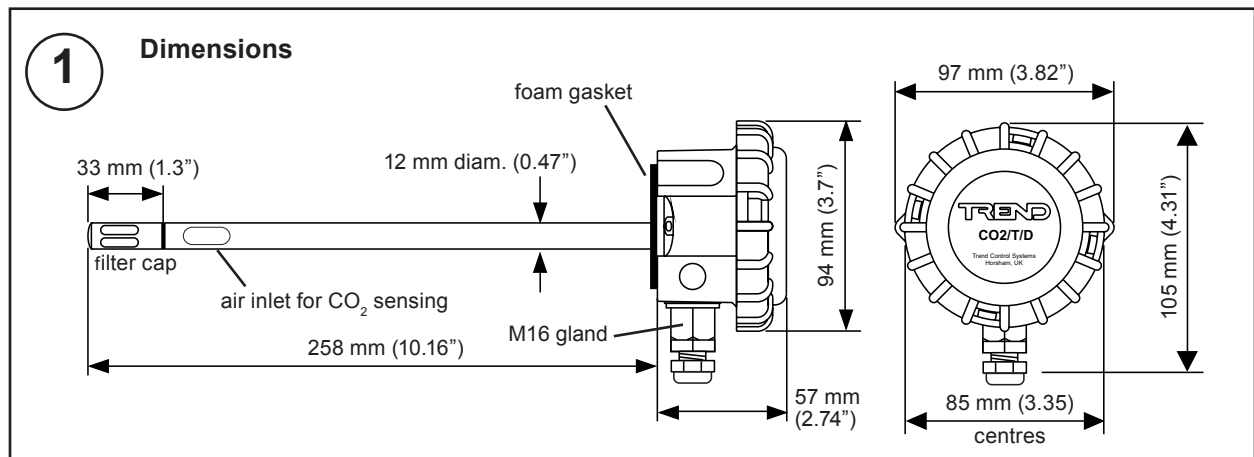


0 → 90%RH



3 INSTALLATION

It is recommended that the installation should comply with the local electrical safety installation practices (e.g. HSE Memorandum of Guidance on Electricity at Work Regulations 1989, USA National Electric Code).



3 INSTALLATION (continued)

3 Mount in Duct

Ø 15 mm (0.59") 2 pilot holes

42.5 mm (1.67") 42.5 mm (1.67")

2 x No 6 (M3.8) x 20 mm screws DIN 7481

4 Remove Lid

5 Remove Connector

6 Insert Cable through Gland

either use flexible conduit

or use M16 cable gland

7 Connect to Controller

CO2/T/D

24 V Supply
24 V ac/dc
0V

IQ controllers
IN1 } CO₂
IN2 }
0V(1)
0V(2) } Temp

V+
GND
CO₂
GND
T1
T2

Views shows connector detail and housing section typical for all uses of the CO2T/D

When connecting to an IQ4 controller the following limits apply if the IQ4 is to provide power. If the sensor is powered from a separate power supply these limits do not apply.

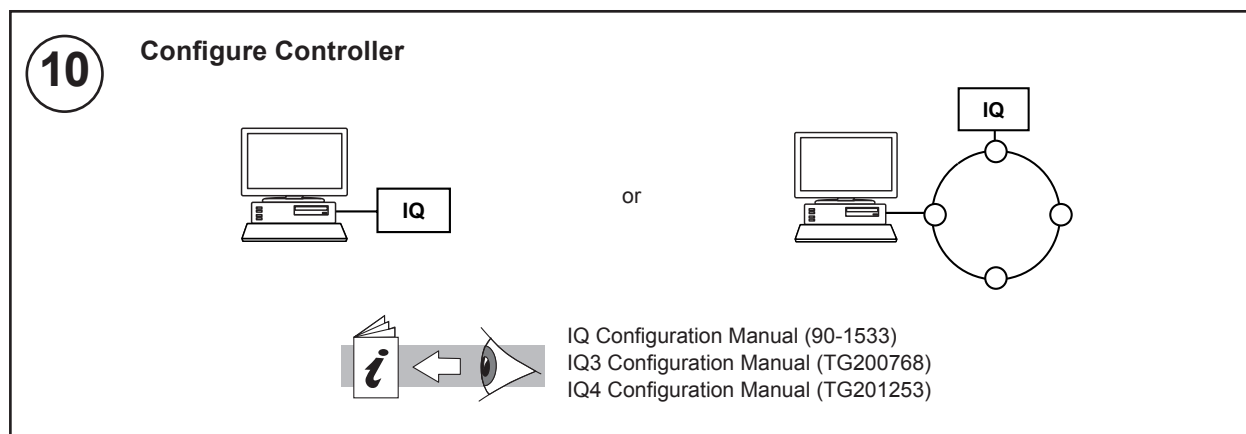
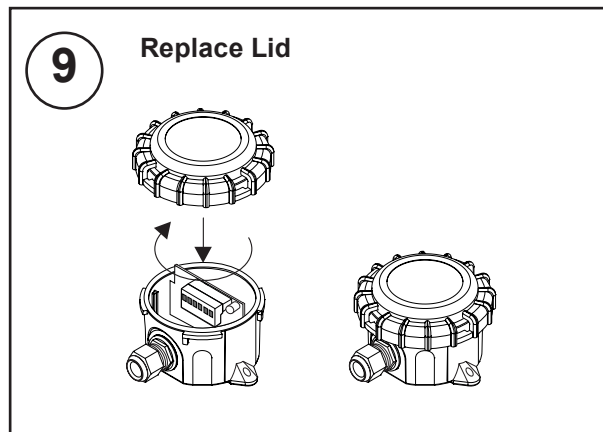
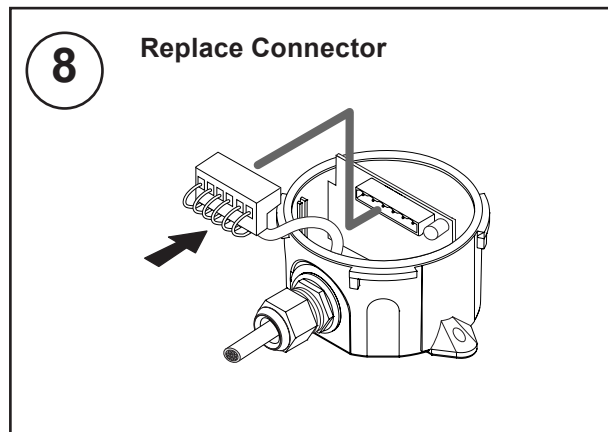
Controller	Max No of CO ₂ sensors
IQ41x	0
IQ422/24V	1
IQ422/230V	6
IQ4E/230V	6

Analogue input channel linked for Voltage (V), ensure correct polarity

Analogue input channel linked for Thermistor (T), polarity independent

Note: The dedicated 24 Vdc supply should be isolated and greater than 650 mA

3 INSTALLATION (continued)



11 Set up IQ Sensor Types

It is recommended to use SET (Software Tool) for the setting of the sensor type module. For all IQ2 series controllers with firmware version 2.1 or greater, IQ3 or IQ4 series controllers, the following SET Unique Sensor References should be used:

Thermistor HTST DT (°C)
Thermistor HTST DT F (°F)
CO2 V (ppm)

Alternatively set scaling mode to 5 (characterise) and enter scaling manually as defined in appropriate tables below. Note that for IQ3 and IQ4, the scaling mode and exponent (E) do not need to be set up.

For all other IQ controllers see Sensor Scaling Reference Card (TB100521A).

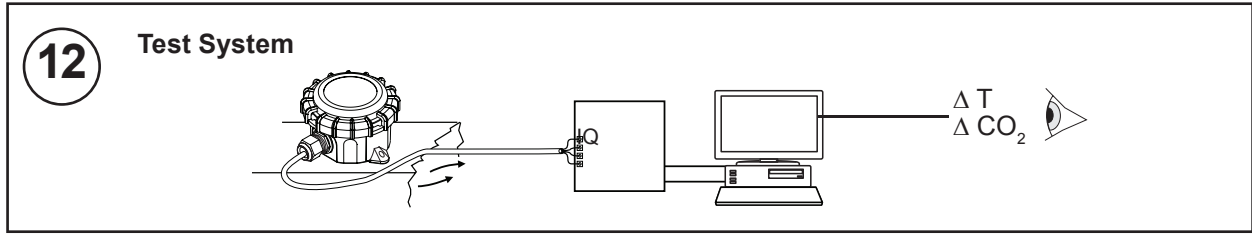
CO₂ concentration voltage output 0 to 10 V for 0 to 2000 ppm

Units		ppm
Y	Input type	0 (volts)
E	Exponent	4
U	Upper	2000
L	Lower	0
P	Points	2
x	lx	Ox
1	0	0
2	10	2000

Temperature thermistor recommended range: 0 to 40 °C (32 to 104 °F)

Units		°C	°F
Y	Input type	1 (thermistor volts)	
E	Exponent	3	
U	Upper	50	122
L	Lower	-5	23
P	Points	6	
x	lx	Ox (°C)	Ox (°F)
1	2.641	50	122
2	3.47	40	104
3	4.46	30	86
4	6.663	10	50
5	7.668	0	32
6	8.102	-5	23

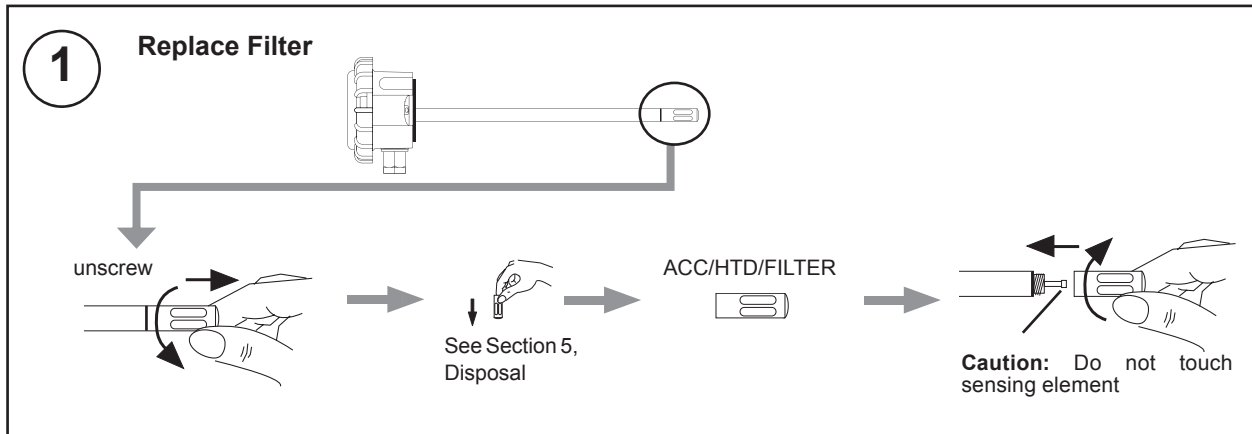
3 INSTALLATION (continued)




4 MAINTENANCE

Over time, the sensing element may become covered in dust. The dust can be removed using compressed air. Under no circumstances should water or cleansing agents be used on the sensing elements.

If the sensor falls outside the quoted accuracy, replace the filter as shown below.



5 DISPOSAL

 **WEEE Directive:**
 At the end of their useful life the packaging and product should be disposed of by a suitable recycling centre.
 Do not dispose of with normal household waste.
 Do not burn.

Please send any comments about this or any other Trend technical publication to techpubs@trendcontrols.com



© 2015 Honeywell Technologies Sàrl, ECC Division. All rights reserved. Manufactured for and on behalf of the Environmental and Combustion Controls Division of Honeywell Technologies Sàrl, Z.A. La Pièce, 16, 1180 Rolle, Switzerland by its Authorized Representative, Trend Control Systems Limited.

Trend Control Systems Limited reserves the right to revise this publication from time to time and make changes to the content hereof without obligation to notify any person of such revisions or changes.

Trend Control Systems Limited

Albery House, Springfield Road, Horsham, West Sussex, RH12 2PQ, UK. Tel:+44 (0)1403 211888 Fax:+44 (0)1403 241608 www.trendcontrols.com