

### Important: Retain these instructions

These instructions shall be used by trained service personnel only. If the equipment is used in a manner not specified by these instructions, the protection provided by the equipment may be impaired.

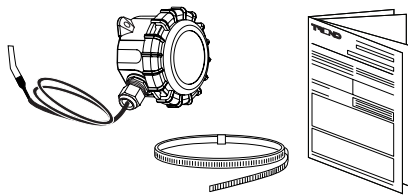
<https://partners.trendcontrols.com>



## CONTENTS

1	Box Contents.....	1	3	Cleaning and Maintenance .....	4
2	Installation .....	1	4	Disposal.....	4

## 1 BOX CONTENTS



T-PC  
InstallationInstructions  
(TG201418)

## 2 INSTALLATION



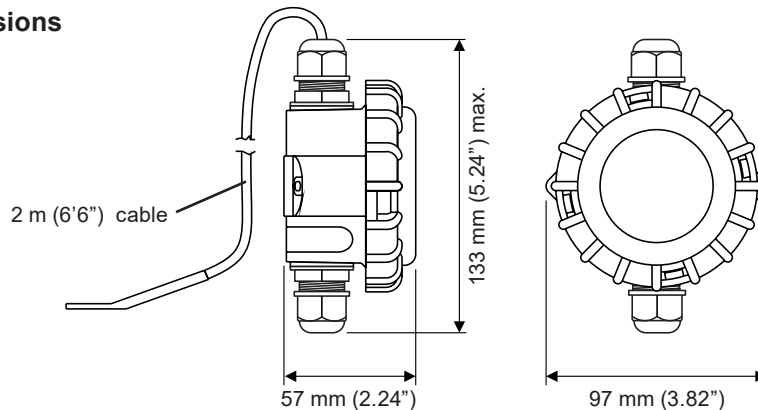
**ATTENTION:** Observe precautions for handling electrostatic sensitive devices.



It is recommended that the installation should comply with the local electrical safety installation practices (e.g. HSE Memorandum of Guidance on Electricity at Work Regulations 1989, USA National Electric Code).

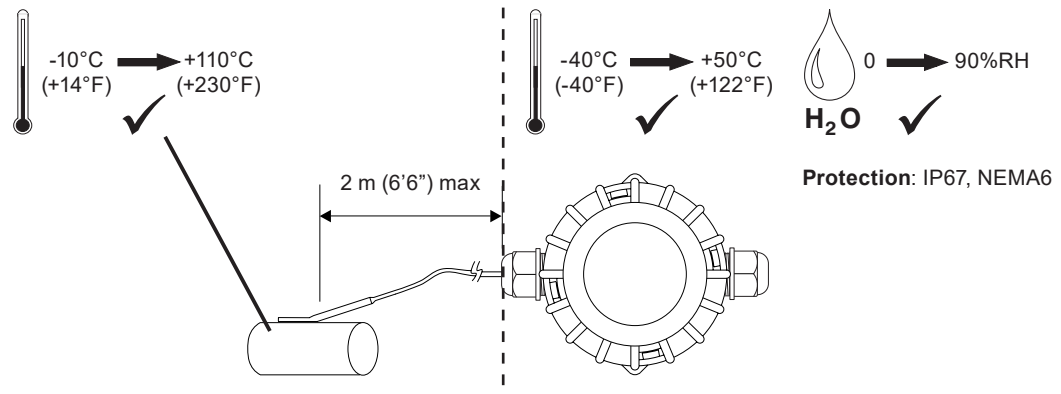
1

### Dimensions

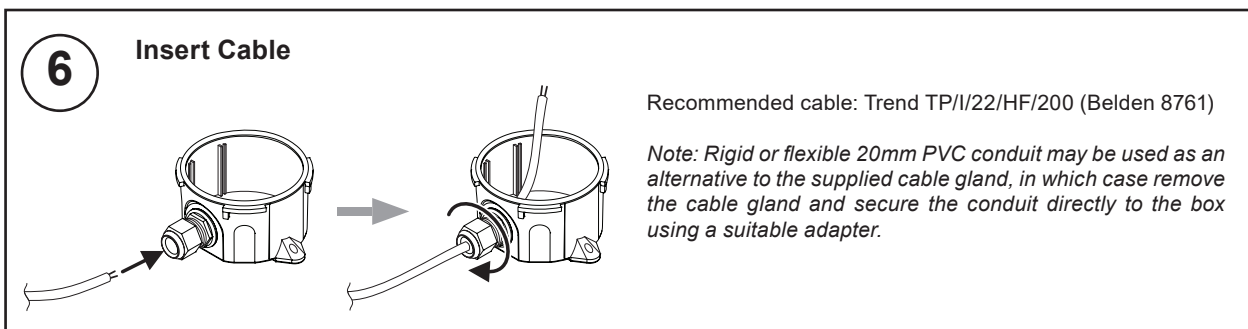
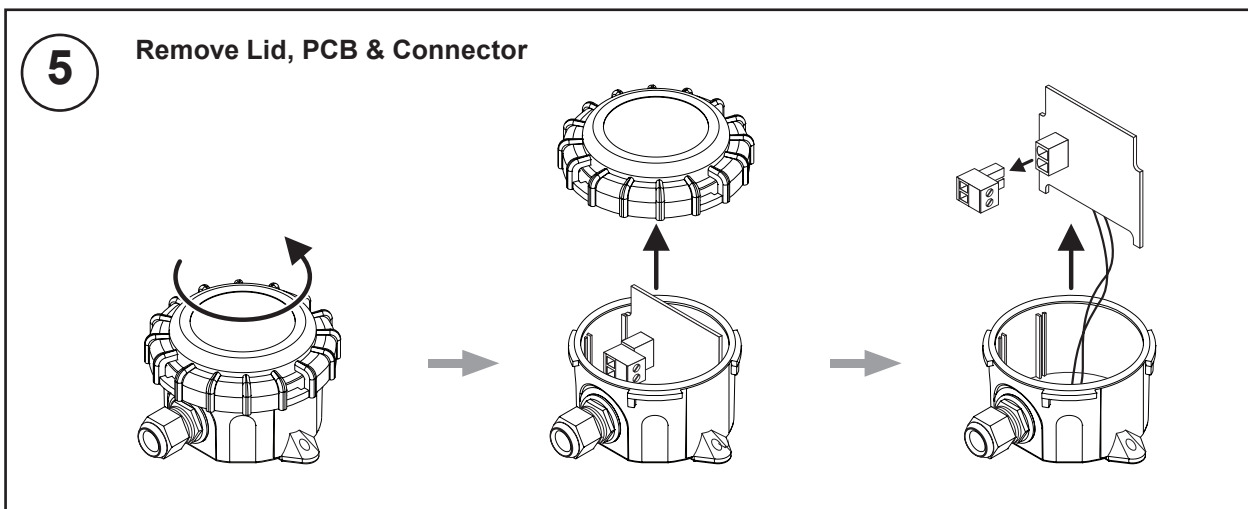
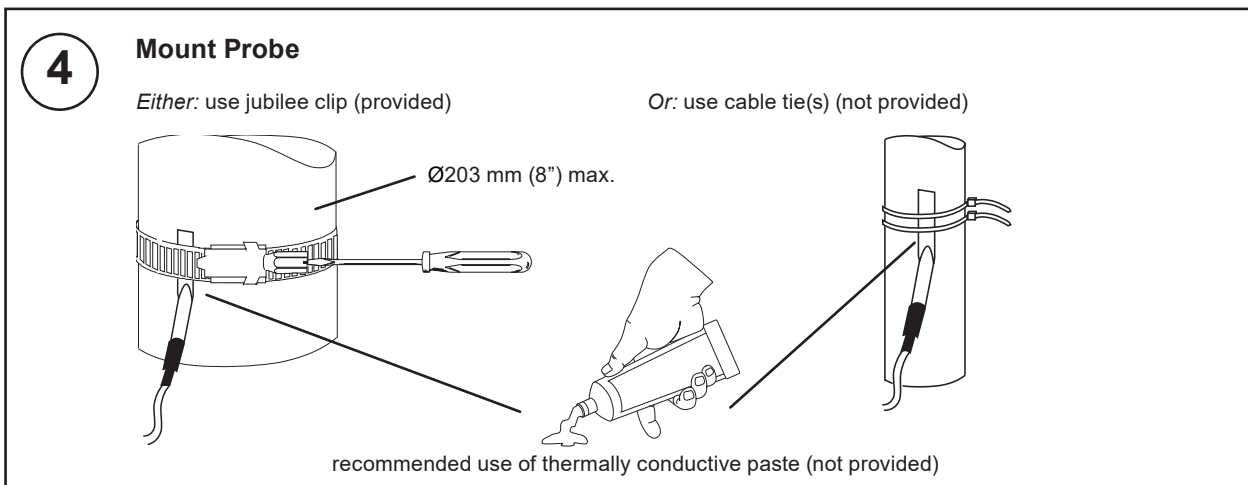
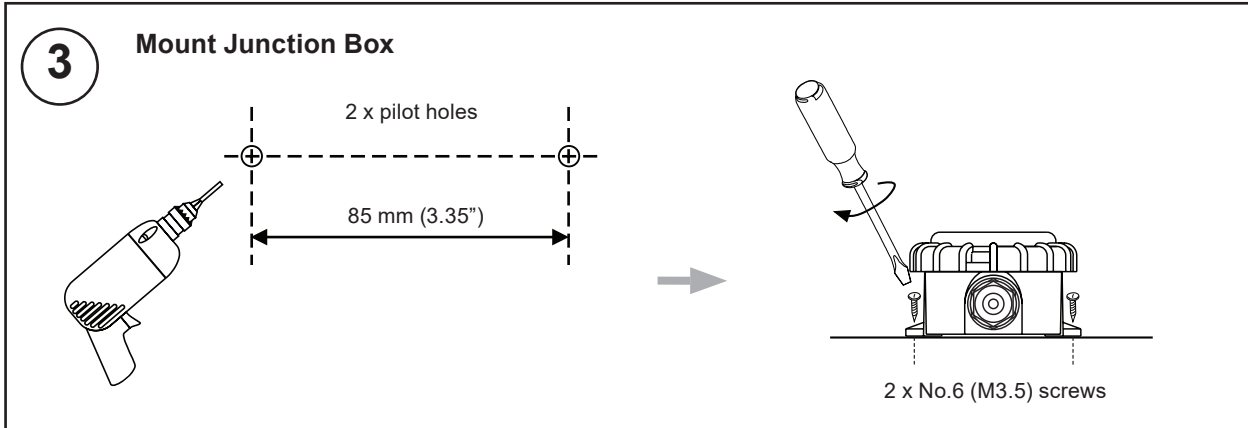


2

### Mounting Requirements



2 INSTALLATION (continued)



2 INSTALLATION (continued)

**7 Wire to Controller**

Terminal size: 0.5 to 2.5 mm<sup>2</sup> (20 to 14 AWG)

Refer to controller installation instructions for details of input type and required connections.

sensor signal  
20 - 28 Vdc supply  
terminate screen at controller end only

I-N  
I-P

**8 Refit Connector, PCB & Lid**

**Caution:** IP67 (NEMA6) rating is only achieved if the sensor is correctly installed and has both the lid and cable gland (or conduit connection) securely tightened.

**9 Configure Controller**

Use IQSET to configure the Sensor Type and External Sensor strategy modules as required.

IQSET Manual (TE200147)  
 IQ4 Configuration Manual (TE201263)  
 IQ3 Configuration Manual (TE200768)  
 IQ Configuration Manual (90-1533)  
 IQeco Configuration Manual (TE201089)

**Setting the Sensor Type**

For the following controller types:

- IQ4 series,
- IQ3 series,
- IQ2 series (with firmware version 2.1 or greater)

configure the Sensor Type by selecting one of the following Unique Sensor References:

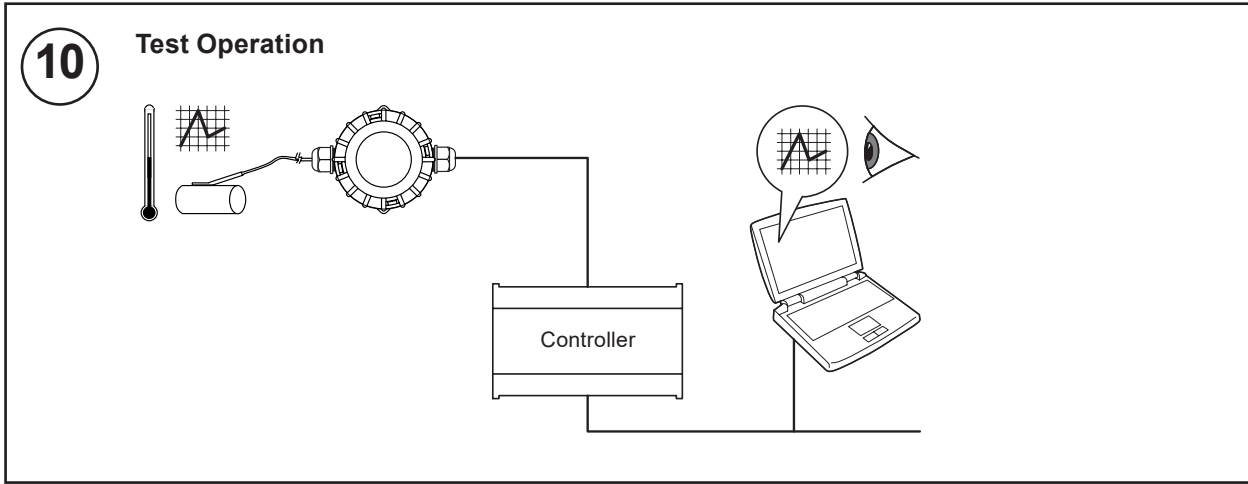
- PRT I -10+110** (for systems using °C)
- PRT I +14+230 F** (for systems using °F)

Alternatively set scaling mode to 5 (characterise) and enter scaling parameters manually as defined in the following table.

Units		°C	°F
<b>Y</b>	Input type	2 (current)	
<b>E</b>	Exponent	3	
<b>U</b>	Upper	110	230
<b>L</b>	Lower	-10	14
<b>P</b>	Points	2	
<b>x</b>	<b>Ix</b>	<b>Ox</b>	
<b>1</b>	4	-10	14
<b>2</b>	20	110	230

*Note: For IQ3/4 the scaling mode and exponent (E) do not need to be set up.*


**2 INSTALLATION** (continued)



**3 CLEANING AND MAINTENANCE**

There are no serviceable parts inside the unit. Periodic cleaning of the unit should be carried out in order to avoid buildup of dust or other contaminants. Disconnect power before carrying out any cleaning.

**4 DISPOSAL**



**WEEE Directive:**  
At the end of their useful life the packaging and product should be disposed of by a suitable recycling centre.

Do not dispose of with normal household waste.  
Do not burn.

Please send any comments about this or any other Trend technical publication to [techpubs@trendcontrols.com](mailto:techpubs@trendcontrols.com)



© 2018 Honeywell Technologies Sàrl, E&ES Division. All rights reserved. Manufactured for and on behalf of the Environmental & Energy Solutions Division of Honeywell Technologies Sàrl, Z.A. La Pièce, 16, 1180 Rolle, Switzerland by its Authorized Representative, Trend Control Systems Limited.

Trend Control Systems Limited reserves the right to revise this publication from time to time and make changes to the content hereof without obligation to notify any person of such revisions or changes.

**Trend Control Systems Limited**

St. Mark's Court, North Street, Horsham, West Sussex, RH12 1BW, UK. Tel:+44 (0)1403 211888, [www.trendcontrols.com](http://www.trendcontrols.com)