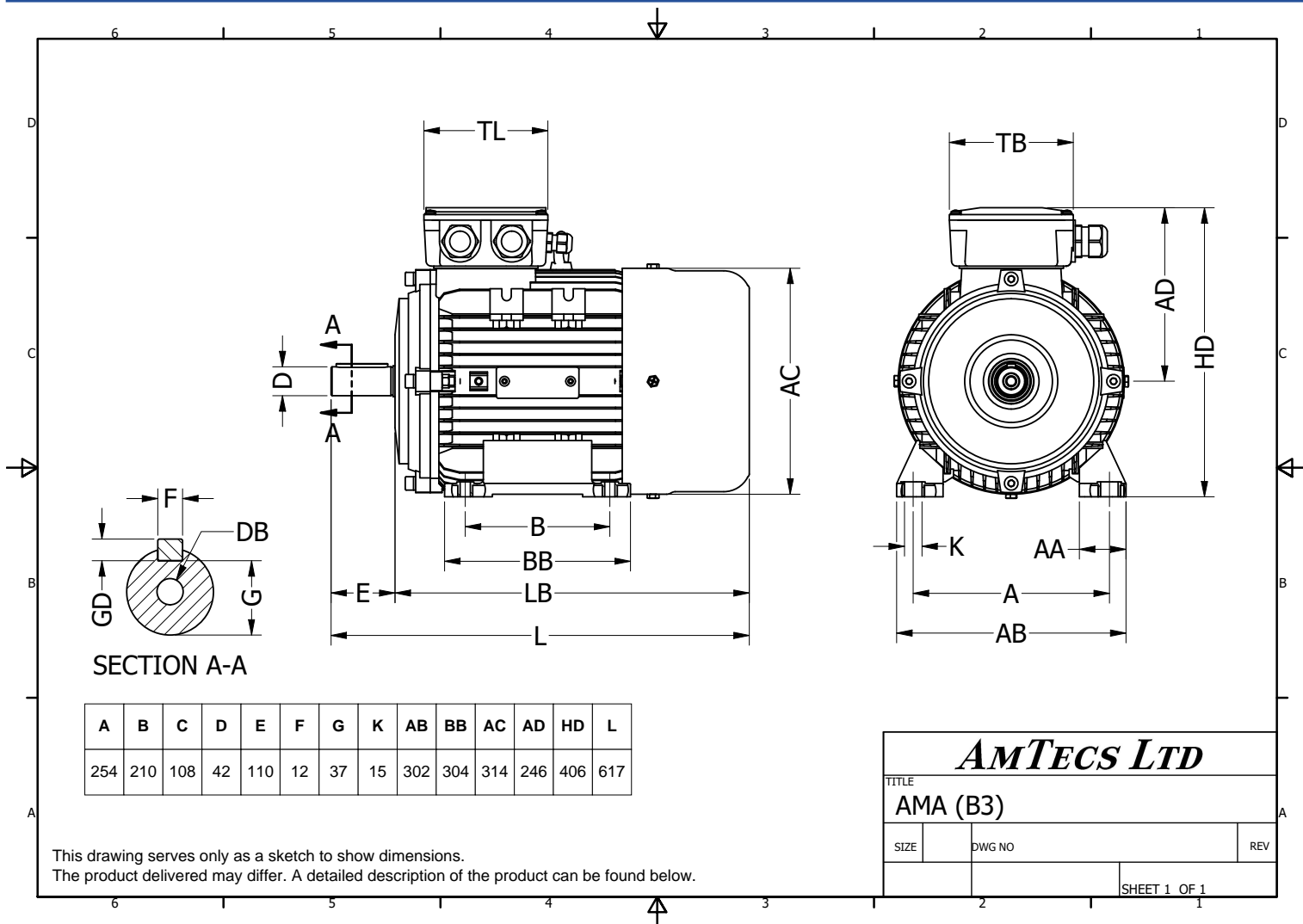


# AMA3-IE3 160MX2 (B3)



**Specification** IEC 60034-1  
**Manufacturer** AmTecs  
**Motor type** AMA3-IE3 160MX2  
**Rated power** 15 kW S1 Duty  
**Speed** 2945 rpm  
**Voltage** 400V / 690V  
**Frequency** 50 Hz  
**Connection** Delta / Star  
**Full load current** 26 A / 15.01 A  
**No-load current**  
**Enclosure** IP55  
**Insulation class** F (temp. rise B)  
**Max. ambient temp** 40 °C  
**Max. altitude** 1000 mtr above sea level  
**Comment**  
**Cable entry** M32 x 1.5  
**Construction** Aluminium  
**Weight** 108 Kg  
**Type number**  
**Warranty**

**Efficiency class** IE3  
**Load data** 100%  
**Efficiency** 91.9 %  
**Power factor** 0.91  
**Sound pressure level (1m)** 71 dB(A)  
**Resistance R20 (open)**  
**Resistance R20 (Delta)**  
**Full load torque** 48.6 Nm  
**Starting / Full load torque** 1.9  
**Pull up / Full load torque**  
**Pull out / Full load torque** 2.3  
**Starting / Full load current (DOL)** 7  
**Starting / Full load current (Y/D)**  
**Rotor Inertia**  
**Bearing DE** 6209  
**Bearing NDE** 6209

<b>AmTecs Ltd</b>	
Charnham Park, Hungerford Berkshire, RG17 0YT	
Tel: +44 (0) 1488 686970	sales@amtecs.co.uk
Fax: +44 (0) 1488 686968	www.amtecs.co.uk