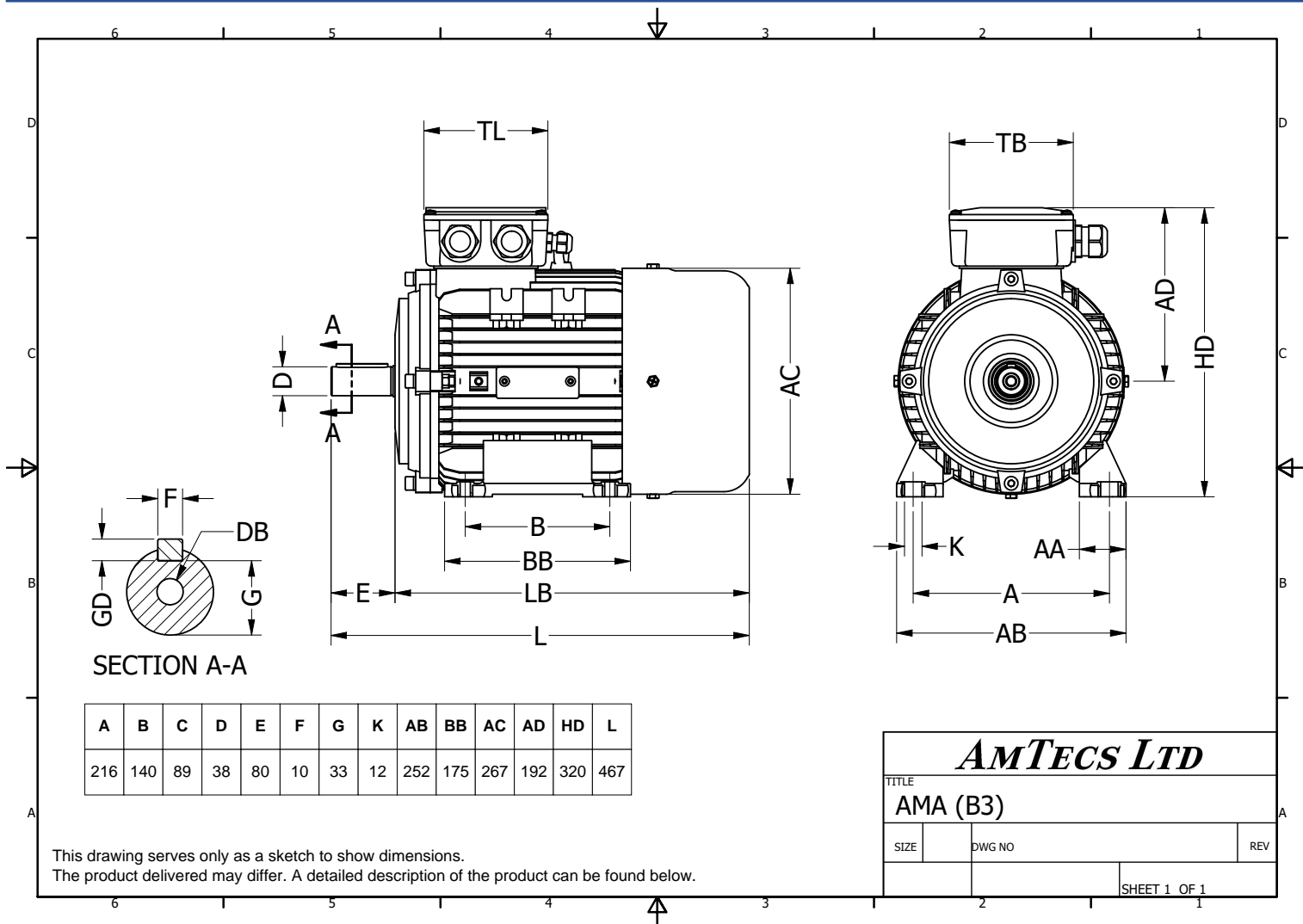


# AMA3-IE3 132S6 (B3)



**Specification IEC 60034-1**  
**Manufacturer AmTecs**  
**Motor type AMA3-IE3 132S6**  
**Rated power 3 kW S1 Duty**  
**Speed 968 rpm**  
**Voltage 220V / 400V**  
**Frequency 50 Hz**  
**Connection Delta / Star**  
**Full load current 11.9 A / 6.84 A**  
**No-load current**  
**Enclosure IP55**  
**Insulation class F (temp. rise B)**  
**Max. ambient temp 40 °C**  
**Max. altitude 1000 mtr above sea level**  
**Comment**  
**Cable entry M25 x 1.5**  
**Construction Aluminium**  
**Weight 46 Kg**  
**Type number**  
**Warranty**

**Efficiency class IE3**  
**Load data 100%**  
**Efficiency 85.6 %**  
**Power factor 0.74**  
**Sound pressure level (1m) 58 dB(A)**  
**Resistance R20 (open)**  
**Resistance R20 (Delta)**  
**Full load torque 29.6 Nm**  
**Starting / Full load torque 2.7**  
**Pull up / Full load torque**  
**Pull out / Full load torque 3.8**  
**Starting / Full load current (DOL) 7.8**  
**Starting / Full load current (Y/D)**  
**Rotor Inertia**  
**Bearing DE 6308**  
**Bearing NDE 6308**

<b>AmTecs Ltd</b>	
Charnham Park, Hungerford Berkshire, RG17 0YT	
Tel: +44 (0) 1488 686970	sales@amtecs.co.uk
Fax: +44 (0) 1488 686968	www.amtecs.co.uk