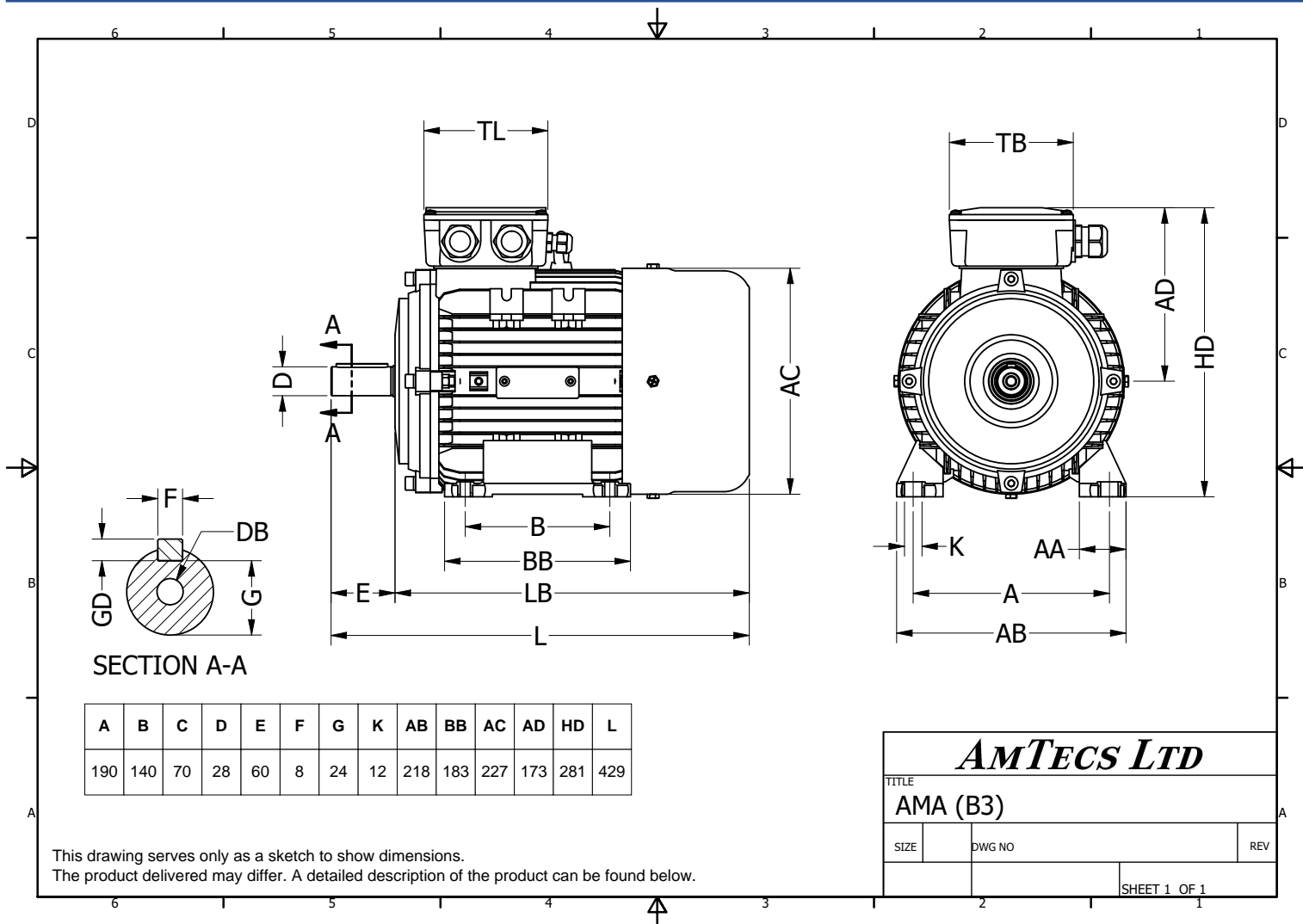


AMA3-IE3 112M6 (B3)



Specification IEC 60034-1
Manufacturer AmTecs
Motor type AMA3-IE3 112M6
Rated power 2.2 kW S1 Duty
Speed 965 rpm
Voltage 220V / 400V
Frequency 50 Hz
Connection Delta / Star
Full load current 8.85 A / 5.09 A
No-load current
Enclosure IP55
Insulation class F (temp. rise B)
Max. ambient temp 40 °C
Max. altitude 1000 mtr above sea level
Comment
Cable entry M25 x 1.5
Construction Aluminium
Weight 35.5 Kg
Type number
Warranty

Efficiency class IE3
Load data 100%
Efficiency 84.3 %
Power factor 0.74
Sound pressure level (1m) 58 dB(A)
Resistance R20 (open)
Resistance R20 (Delta)
Full load torque 21.8 Nm
Starting / Full load torque 2.2
Pull up / Full load torque
Pull out / Full load torque 3
Starting / Full load current (DOL) 6.6
Starting / Full load current (Y/D)
Rotor Inertia
Bearing DE 6306
Bearing NDE 6306

AmTecs Ltd	
Charnham Park, Hungerford Berkshire, RG17 0YT	
Tel: +44 (0) 1488 686970	sales@amtecs.co.uk
Fax: +44 (0) 1488 686968	www.amtecs.co.uk