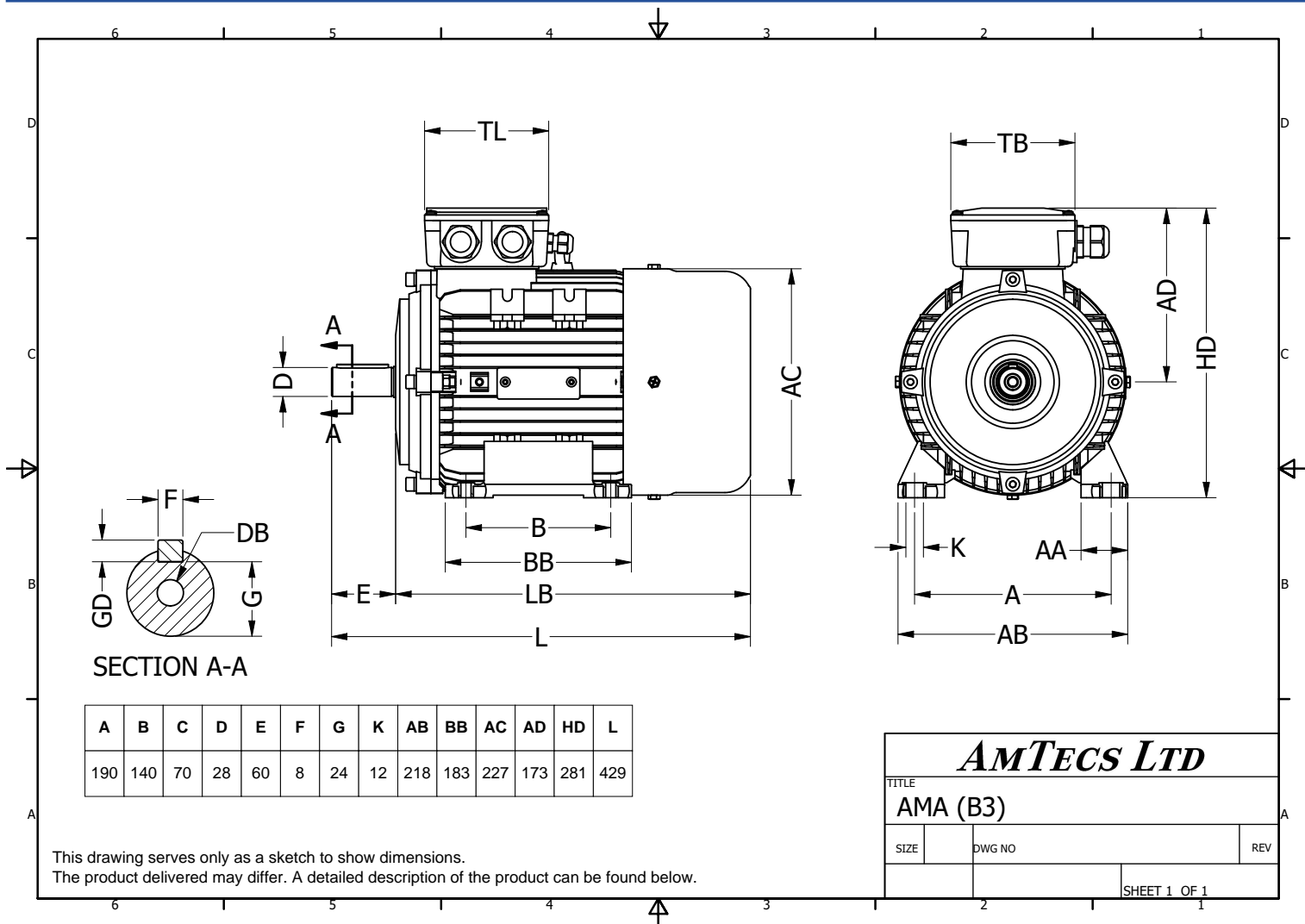


AMA3-IE3 112M4 (B3)



Specification	IEC 60034-1
Manufacturer	AmTecs
Motor type	AMA3-IE3 112M4
Rated power	4 kW S1 Duty
Speed	1440 rpm
Voltage	400V / 690V
Frequency	50 Hz
Connection	Delta / Star
Full load current	8.14 A / 4.7 A
No-load current	
Enclosure	IP55
Insulation class	F (temp. rise B)
Max. ambient temp	40 °C
Max. altitude	1000 mtr above sea level
Comment	
Cable entry	M25 x 1.5
Construction	Aluminium
Weight	44 Kg
Type number	
Warranty	

Efficiency class	IE3
Load data	100%
Efficiency	88.6 %
Power factor	0.8
Sound pressure level (1m)	58 dB(A)
Resistance R20 (open)	
Resistance R20 (Delta)	
Full load torque	26.5 Nm
Starting / Full load torque	2.3
Pull up / Full load torque	
Pull out / Full load torque	3.2

Starting / Full load current (DOL)	7
Starting / Full load current (Y/D)	
Rotor Inertia	
Bearing DE	6306
Bearing NDE	6306

AmTecs Ltd	
Charnham Park, Hungerford Berkshire, RG17 0YT	
Tel: +44 (0) 1488 686970	sales@amtecs.co.uk
Fax: +44 (0) 1488 686968	www.amtecs.co.uk