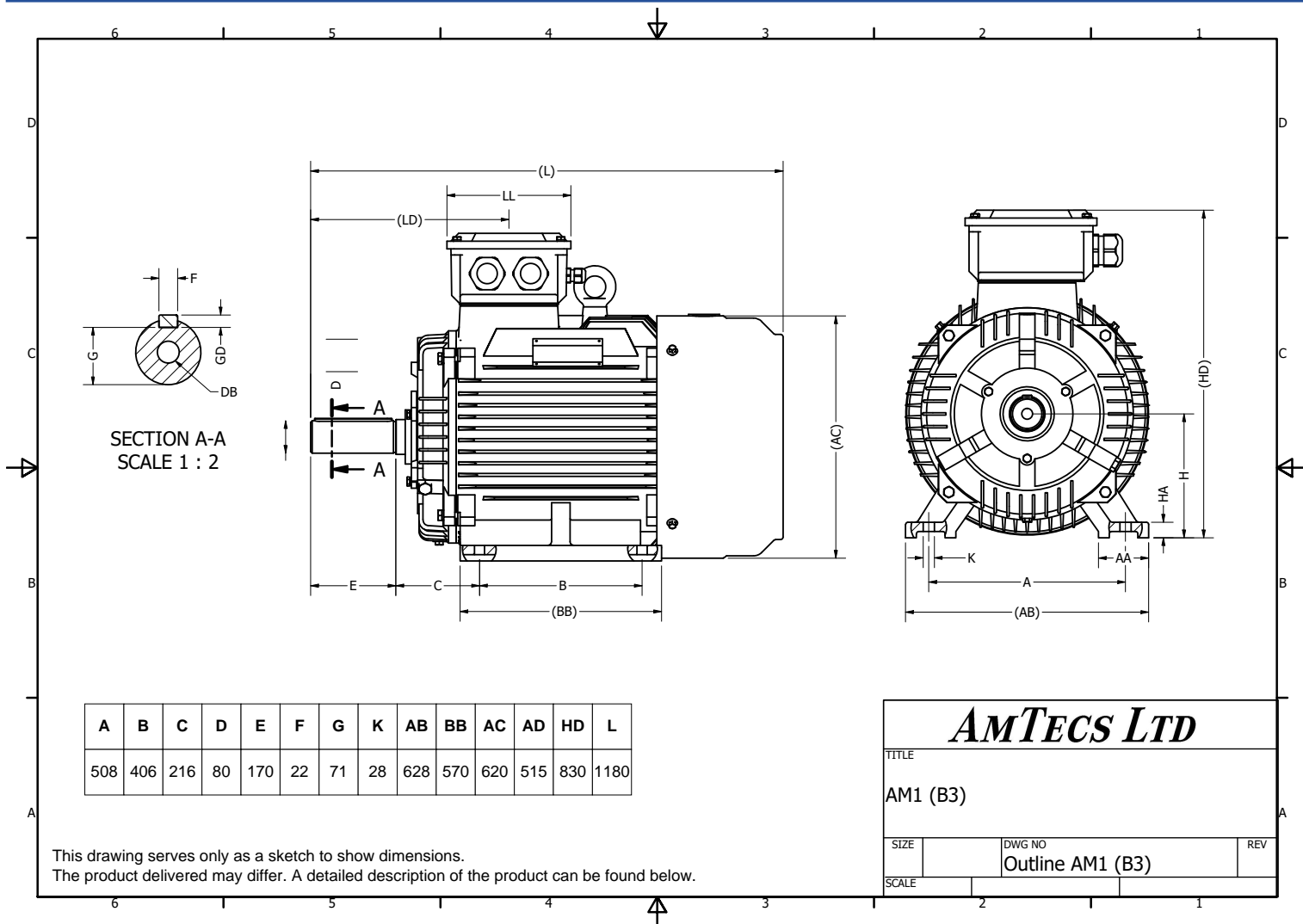


AM3-IE3 315S4 (B3)



This drawing serves only as a sketch to show dimensions.
The product delivered may differ. A detailed description of the product can be found below.

AMTECS LTD

TITLE
AM1 (B3)

SIZE	DWG NO	REV
	Outline AM1 (B3)	
SCALE		

Specification **IEC 60034-1**
 Manufacturer **AmTecs**
 Motor type **AM3-IE3 315S4**
 Rated power **110 kW S1 Duty**
 Speed **1480 rpm**
 Voltage **400V / 690V**
 Frequency **50 Hz**
 Connection **Delta / Star**
 Full load current **189.1 A / 109.6 A**
 No-load current
 Enclosure **IP55**
 Insulation class **F (temp. rise B)**
 Max. ambient temp **40 °C**
 Max. altitude **1000 mtr above sea level**
 Comment
 Cable entry **M63 x 1.5**
 Construction **Cast Iron**
 Weight **876 Kg**
 Type number
 Warranty

Efficiency class **IE3**
 Load data **100%**
 Efficiency **95.4 %**
 Power factor **0.88**
 Sound pressure level (1m) **88 dB(A)**
 Resistance R20 (open)
 Resistance R20 (Delta)
 Full load torque **709.8 Nm**
 Starting / Full load torque **2.6**
 Pull up / Full load torque
 Pull out / Full load torque **2.9**
 Starting / Full load current (DOL) **8.2**
 Starting / Full load current (Y/D)
 Rotor Inertia
 Bearing DE **NU319**
 Bearing NDE **6319**

AmTecs Ltd	
Charnham Park, Hungerford Berkshire, RG17 0YT	
Tel: +44 (0) 1488 686970	sales@amtecs.co.uk
Fax: +44 (0) 1488 686968	www.amtecs.co.uk