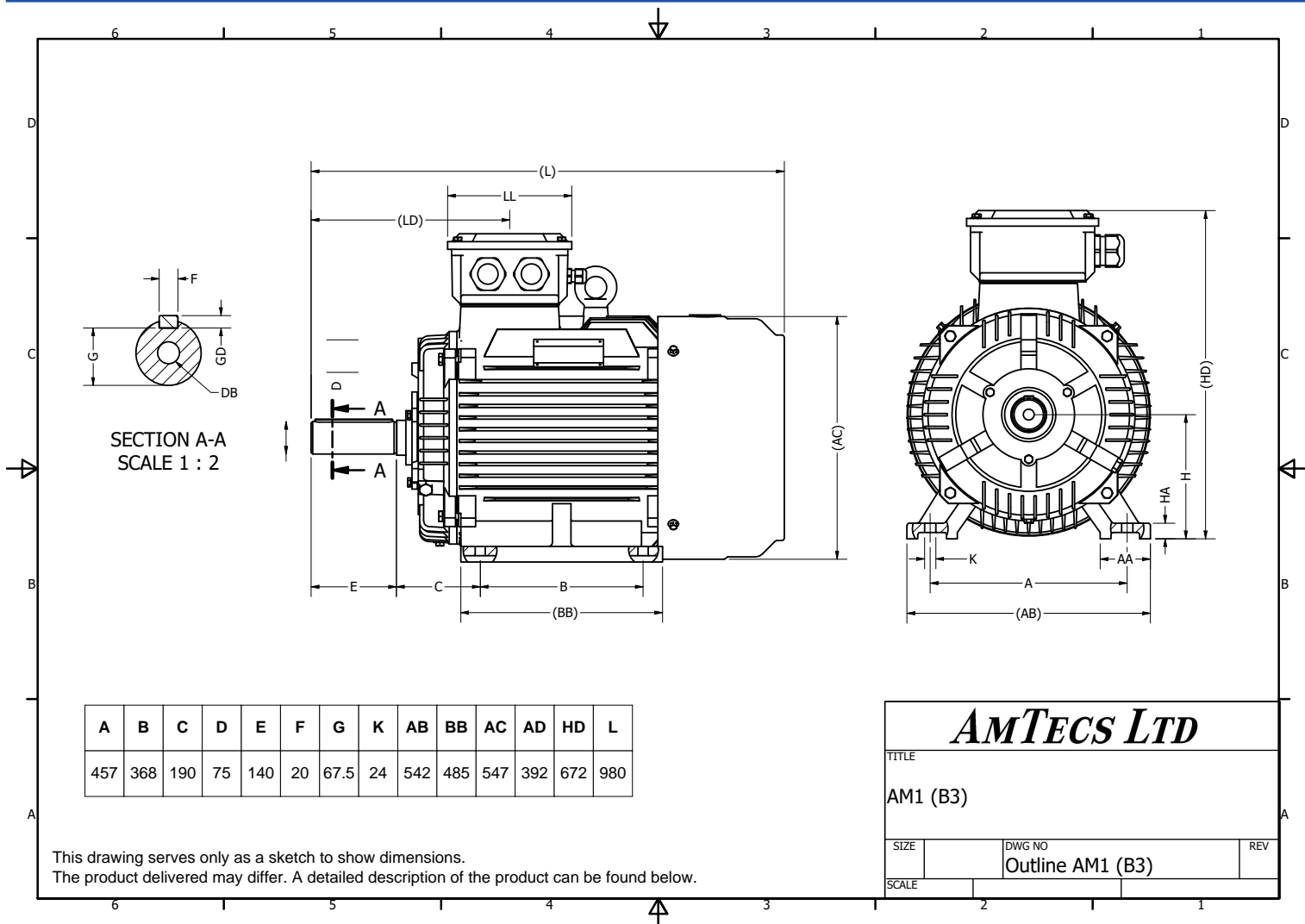


AM3-IE3 280S4 (B3)



Specification IEC 60034-1
Manufacturer AmTecs
Motor type AM3-IE3 280S4
Rated power 75 kW S1 Duty
Speed 1480 rpm
Voltage 400V / 690V
Frequency 50 Hz
Connection Delta / Star
Full load current 129.5 A / 75.1 A
No-load current
Enclosure IP55
Insulation class F (temp. rise B)
Max. ambient temp 40 °C
Max. altitude 1000 mtr above sea level
Comment
Cable entry M63 x 1.5
Construction Cast Iron
Weight 565 Kg
Type number
Warranty

Efficiency class IE3
Load data 100%
Efficiency 95 %
Power factor 0.88
Sound pressure level (1m) 80 dB(A)
Resistance R20 (open)
Resistance R20 (Delta)
Full load torque 484 Nm
Starting / Full load torque 2.6
Pull up / Full load torque
Pull out / Full load torque 2.8
Starting / Full load current (DOL) 8
Starting / Full load current (Y/D)
Rotor Inertia
Bearing DE 6317
Bearing NDE 6314

AmTecs Ltd	
Charnham Park, Hungerford Berkshire, RG17 0YT	
Tel: +44 (0) 1488 686970	sales@amtecs.co.uk
Fax: +44 (0) 1488 686968	www.amtecs.co.uk