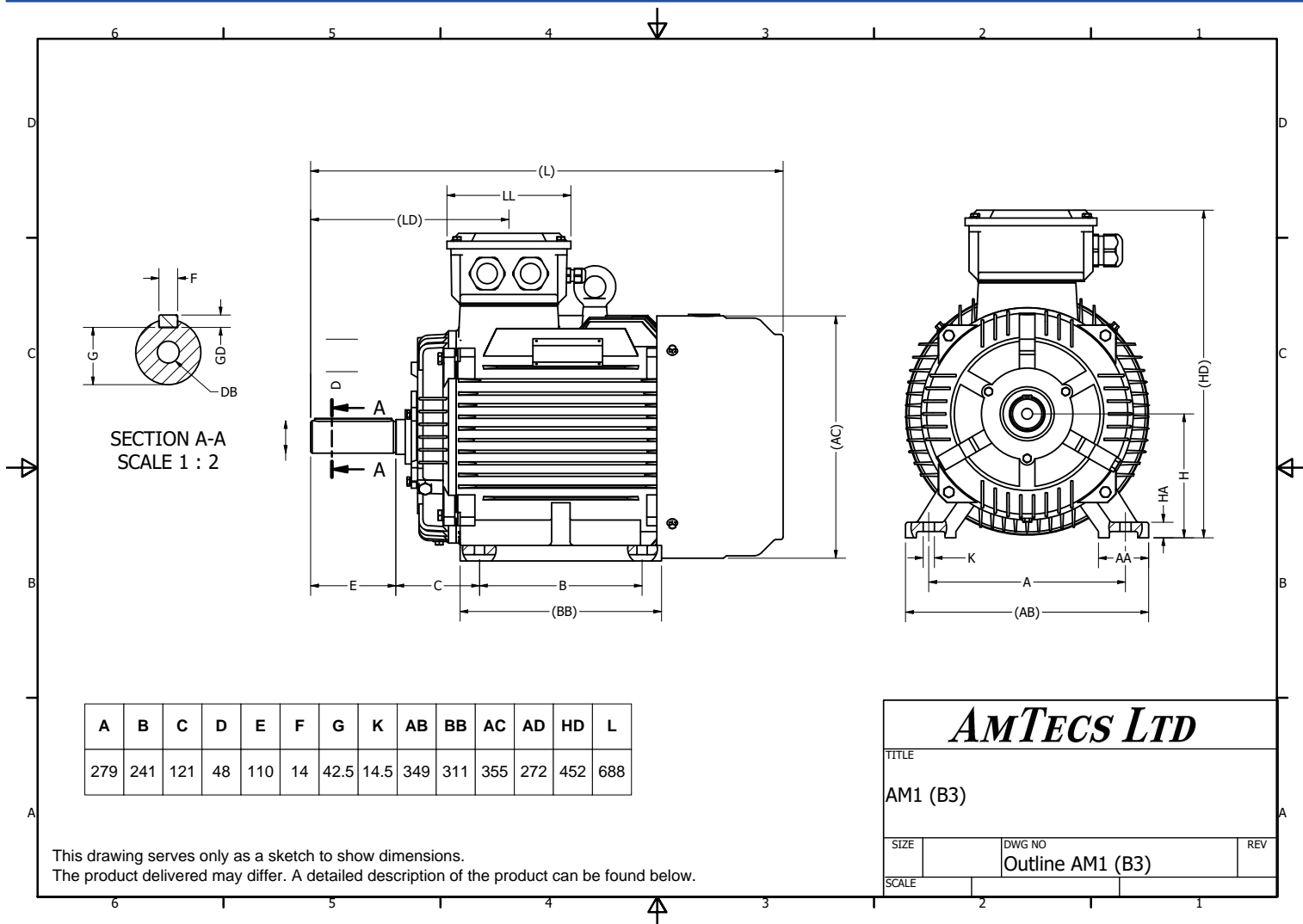


AM3-IE3 180M4 (B3)



This drawing serves only as a sketch to show dimensions.
The product delivered may differ. A detailed description of the product can be found below.

Specification IEC 60034-1
Manufacturer AmTecs
Motor type AM3-IE3 180M4
Rated power 18.5 kW S1 Duty
Speed 1465 rpm
Voltage 400V / 690V
Frequency 50 Hz
Connection Delta / Star
Full load current 33.5 A / 19.4 A
No-load current
Enclosure IP55
Insulation class F (temp. rise B)
Max. ambient temp 40 °C
Max. altitude 1000 mtr above sea level
Comment
Cable entry M32 x 1.5
Construction Cast Iron
Weight 182 Kg
Type number
Warranty

Efficiency class IE3
Load data 100%
Efficiency 92.6 %
Power factor 0.86
Sound pressure level (1m) 76 dB(A)
Resistance R20 (open)
Resistance R20 (Delta)
Full load torque 120.6 Nm
Starting / Full load torque 2.5
Pull up / Full load torque
Pull out / Full load torque 3.4
Starting / Full load current (DOL) 7.8
Starting / Full load current (Y/D)
Rotor Inertia
Bearing DE 6311
Bearing NDE 6211

AmTecs Ltd	
Charnham Park, Hungerford Berkshire, RG17 0YT	
Tel: +44 (0) 1488 686970	sales@amtecs.co.uk
Fax: +44 (0) 1488 686968	www.amtecs.co.uk