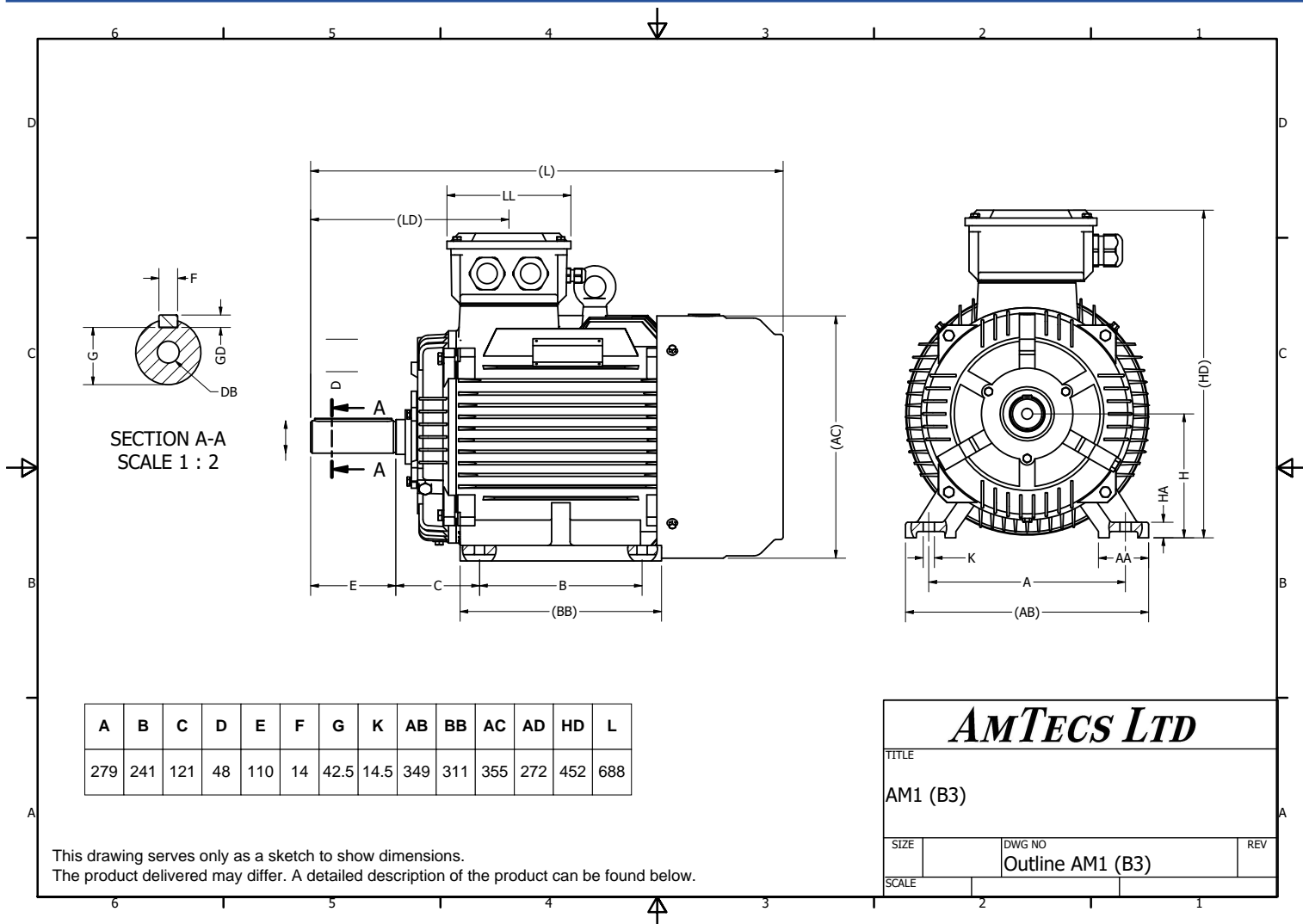


AM3-IE3 180M2 (B3)



This drawing serves only as a sketch to show dimensions.
The product delivered may differ. A detailed description of the product can be found below.

Specification	IEC 60034-1
Manufacturer	AmTecs
Motor type	AM3-IE3 180M2
Rated power	22 kW S1 Duty
Speed	2945 rpm
Voltage	400V / 690V
Frequency	50 Hz
Connection	Delta / Star
Full load current	38.5 A / 22.3 A
No-load current	
Enclosure	IP55
Insulation class	F (temp. rise B)
Max. ambient temp	40 °C
Max. altitude	1000 mtr above sea level
Comment	
Cable entry	M32 x 1.5
Construction	Cast Iron
Weight	198 Kg
Type number	
Warranty	

Efficiency class	IE3
Load data	100%
Efficiency	92.7 %
Power factor	0.89
Sound pressure level (1m)	83 dB(A)
Resistance R20 (open)	
Resistance R20 (Delta)	
Full load torque	71.3 Nm
Starting / Full load torque	2.8
Pull up / Full load torque	
Pull out / Full load torque	3.2
Starting / Full load current (DOL)	8.8
Starting / Full load current (Y/D)	
Rotor Inertia	
Bearing DE	6211
Bearing NDE	6211

AmTecs Ltd	
Charnham Park, Hungerford Berkshire, RG17 0YT	
Tel: +44 (0) 1488 686970	sales@amtecs.co.uk
Fax: +44 (0) 1488 686968	www.amtecs.co.uk