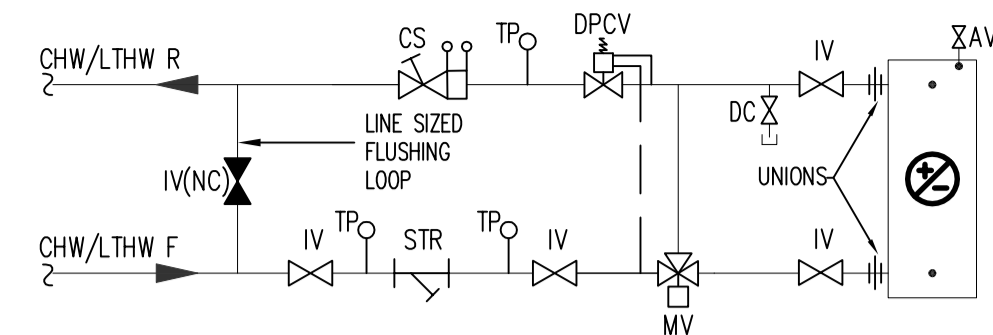
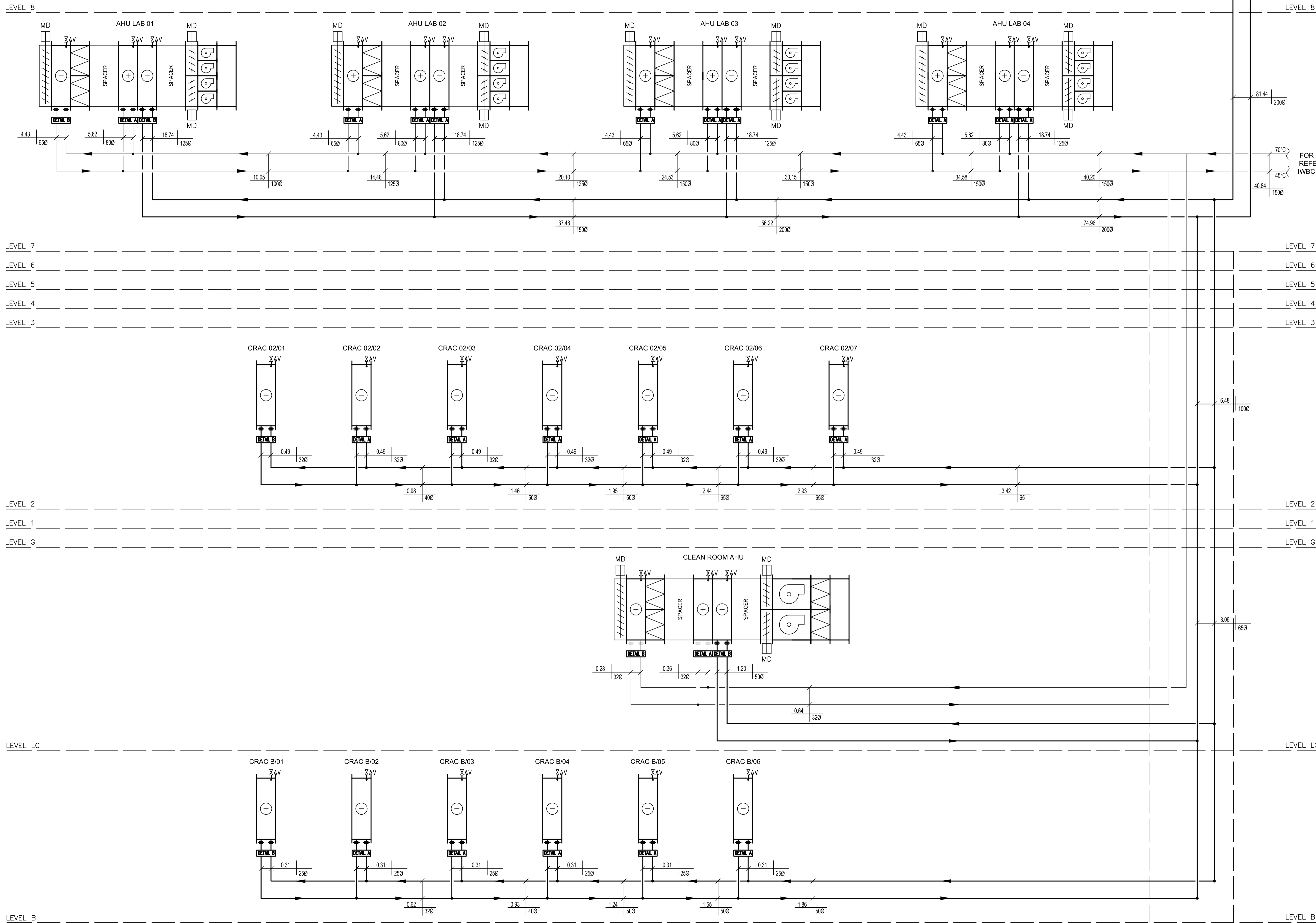
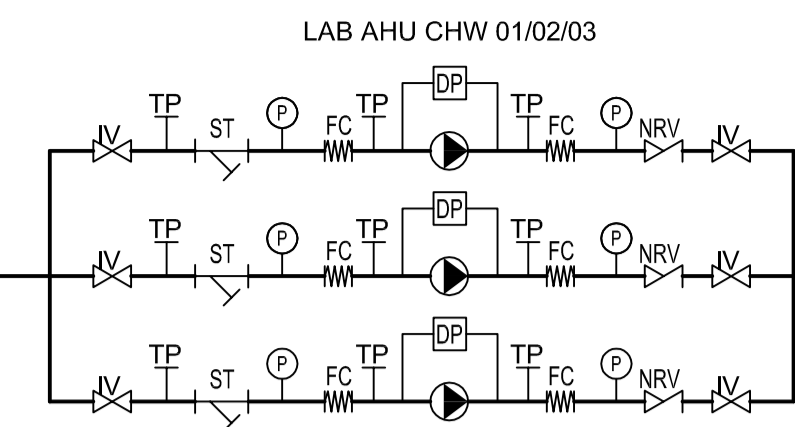


DETAIL-A
TYPICAL CHW/LTHW AHU / CRAC
CONNECTION DETAIL



DETAIL-B
TYPICAL END OF LINE CHW/LTHW
AHU / CRAC CONNECTION DETAIL

FOR CONTINUATION
REFER TO DRAWING
IWBC1301-SCH-M3102



RISER 4

CDM Pre-Construction Information

The following information is provided in accordance with Regulation 9 of the CDM Regulations 2015:

1. Designers risk assessment has not identified any unusual risks for this drawing.
2. Refer to project health & safety information produced by the Principal Designer.

THIS DRAWING ILLUSTRATES THE CURRENT STATE OF DESIGN DEVELOPMENT BY THE DESIGN TEAM.

THE CONTRACTOR SHALL BE RESPONSIBLE FOR ADOPTING AND DEVELOPING THE DESIGN TO MEET THE DESIGN INTENT AND UNDERTAKING ALL NECESSARY CO-ORDINATION BETWEEN THE BUILDING FABRIC FINISHES, STRUCTURE AND OTHER ENGINEERING SYSTEMS TO PRODUCE A FULL CO-ORDINATED DESIGN CAPABLE OF ACHIEVING THE SPECIFIED DESIGN PARAMETERS.

GENERAL NOTES:

1. The drawing does not necessarily show all the information needed to interpret the design intent or the construction details.
2. The drawing contains information from more than one source and must be read in conjunction with all relevant specifications.
3. Any apparent drafting errors and differences between other drawings and specifications shall be brought to our attention.

FOR CONTINUATION
REFER TO DRAWING
IWBC1301-SCH-M6301

T1	TENDER ISSUE	DEC'15
Revision	Description	Date
<p>Imperial College London</p> <p>HOARE LEA CONSULTING ENGINEERS www.hoarelea.com</p>		
<p>Project IWBC 1301 - FIT OUT FOR BUILDING C</p> <p>Title AHU/CRAC UNITS HEATING AND COOLING SCHEMATIC</p>		
Drawn by KK	Checked GWR	File SCH9002
Drawing Number IWBC1301-SCH-M-9002	Revision T1	Scale NTS @ A1 Date DEC' 2015